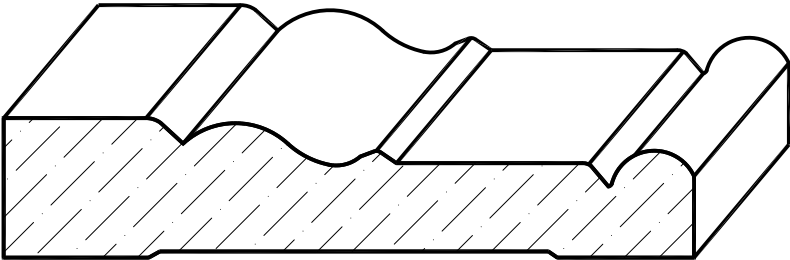


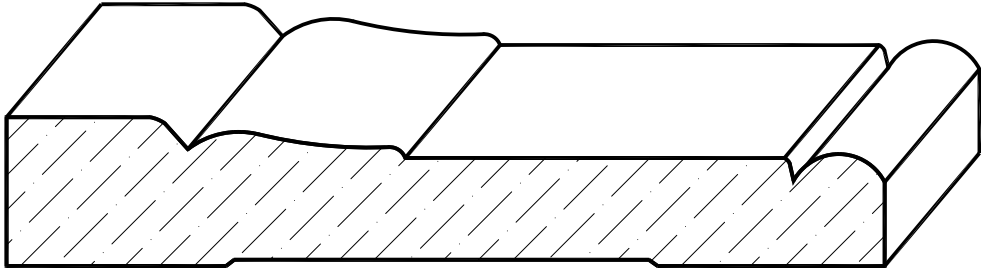
416 Casing

1"x3-1/2"



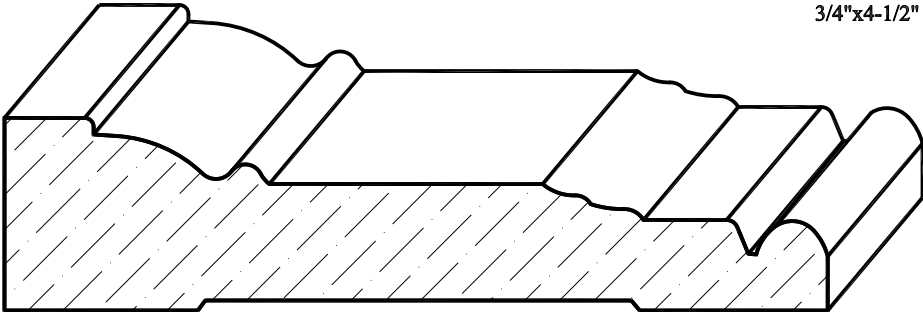
553

3/4"x3-1/2"



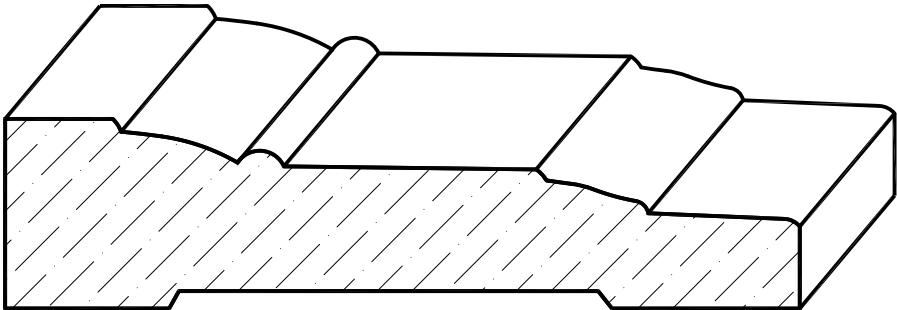
452

3/4"x4-1/2"



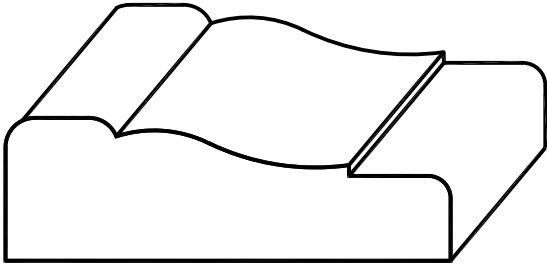
Herman with Bead

1"x4-1/8"

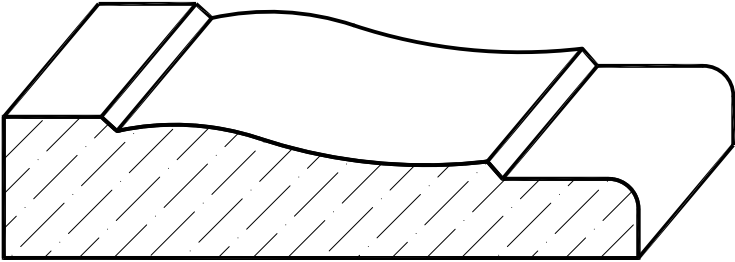


Herman

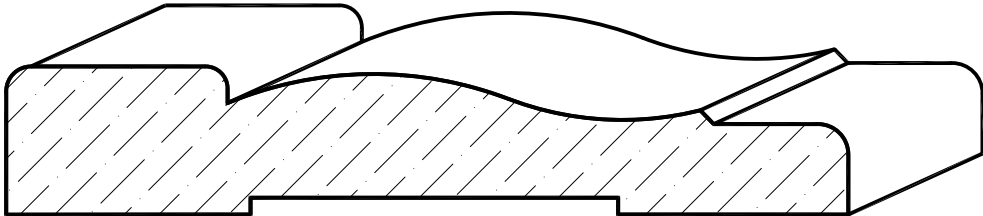
1"x4-1/8"



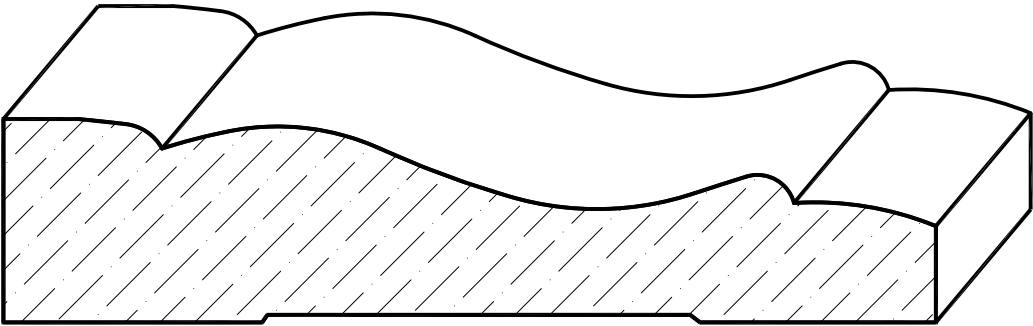
356
11/16"x2-1/4"



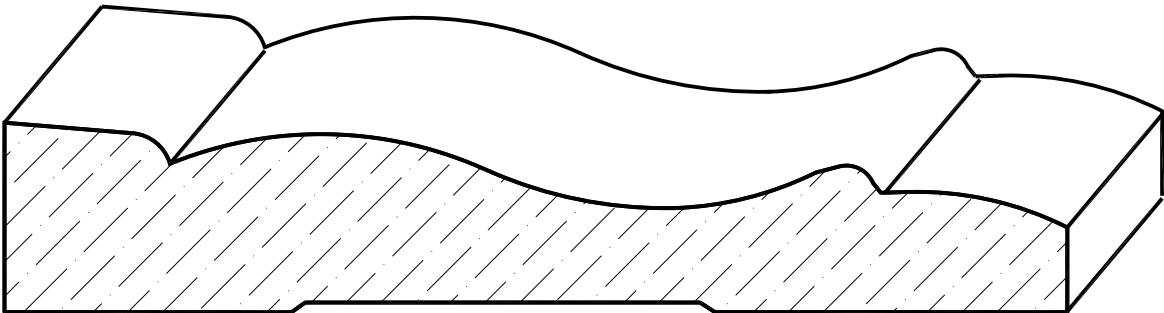
444
11/16"x3-1/4"



1340
3/4" x 4-1/4"

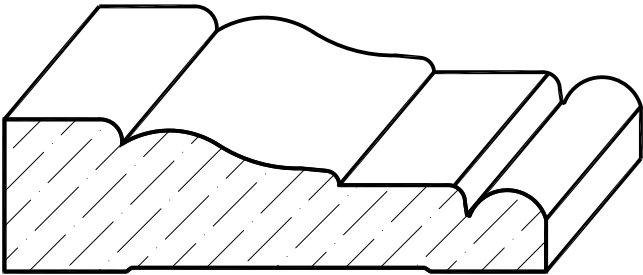


303 B
1"x4-3/4"

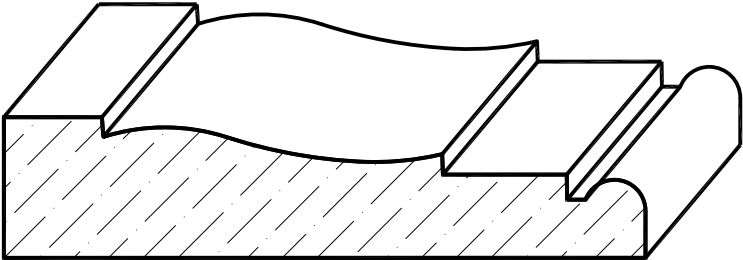


303
1"x5-3/8"

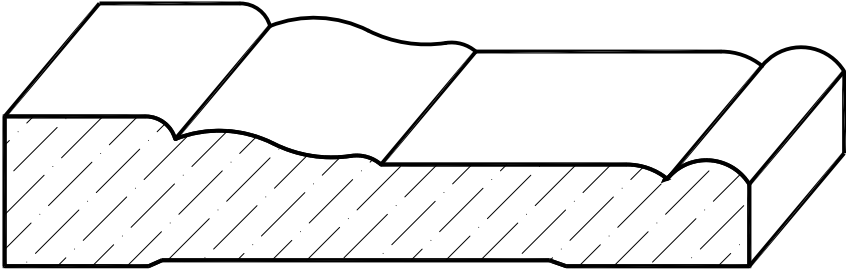
Casings



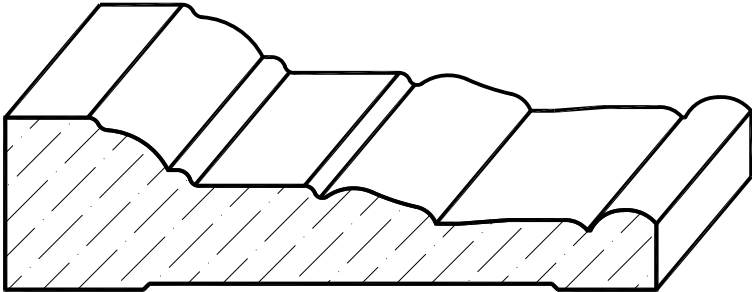
376 A
3/4"x2-3/4"



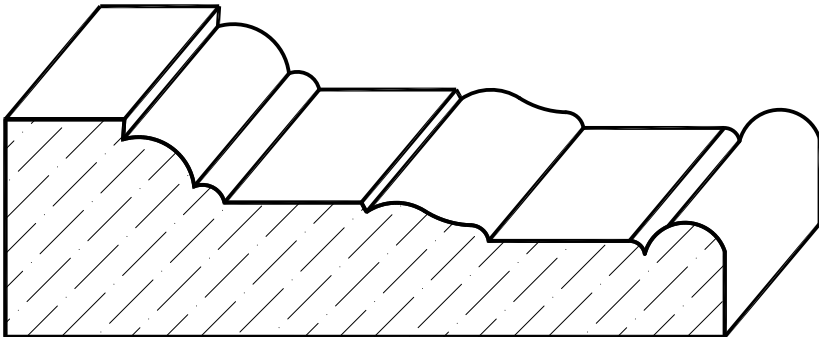
445
11/16"x3-1/4"



450
3/4"x3-3/4"

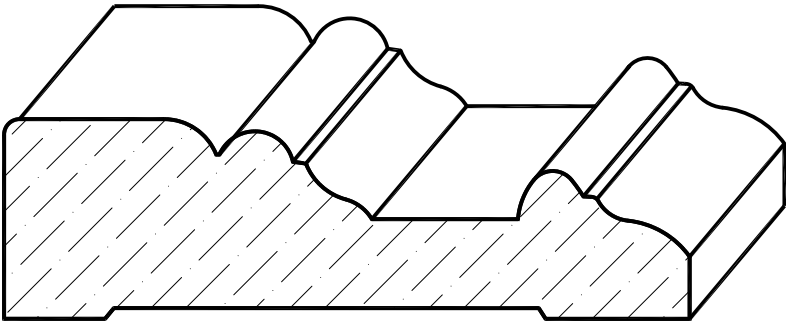


500
7/8" x 3-3/8"

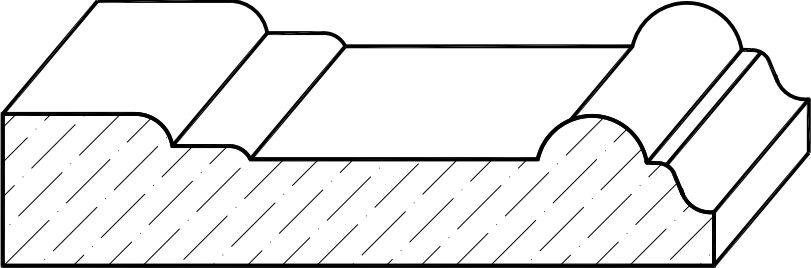


470
1-1/16"x3-11/16"

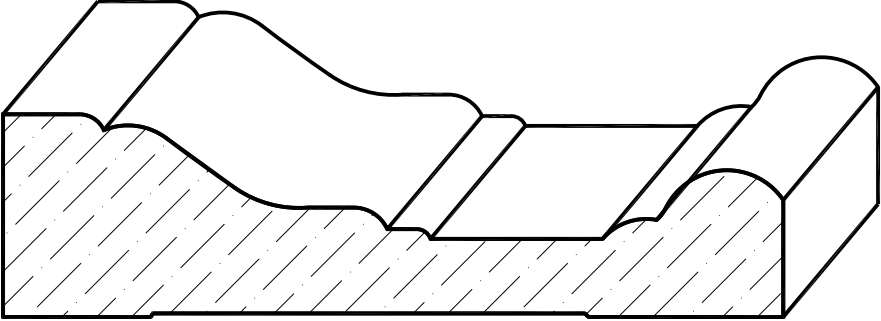
Casings



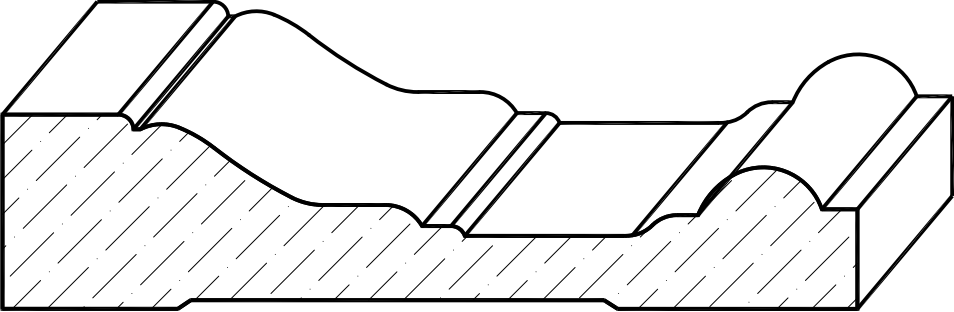
1344
1"x3-1/2"



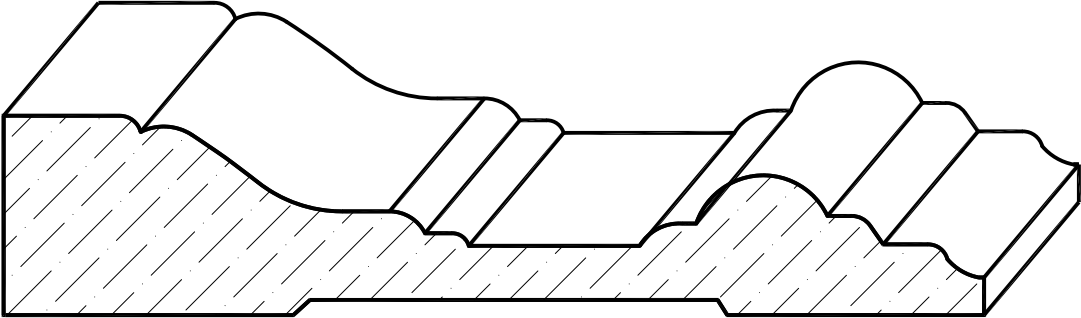
TR-01
3/4"x3-5/8"



329
1"x4"

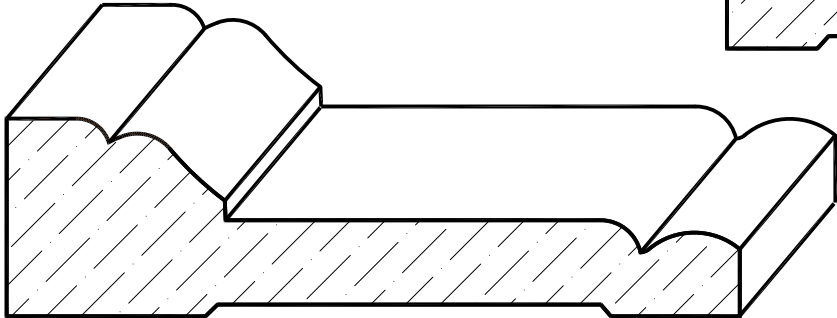


331
1"x4-3/8"

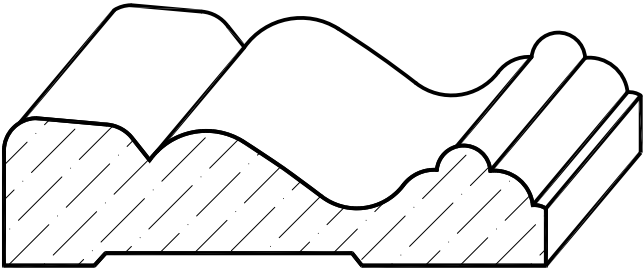


332
1"x5"

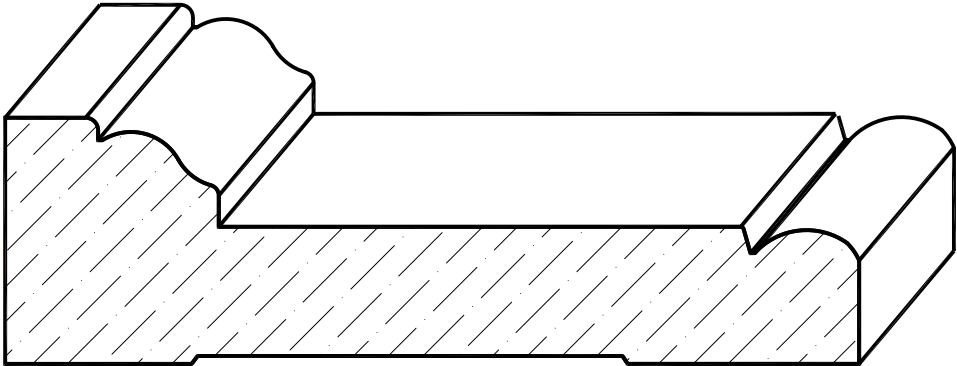
Casings



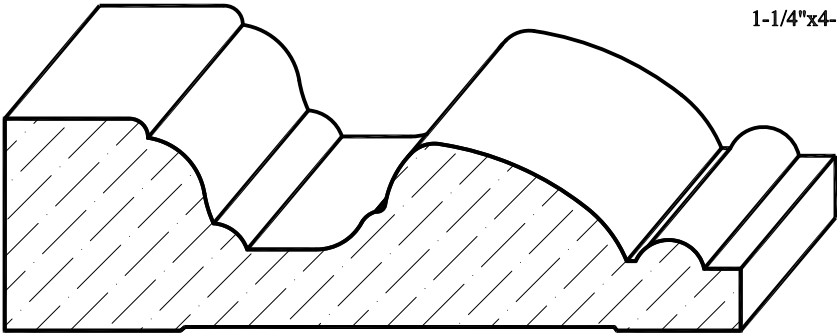
98
1"x3-3/4"



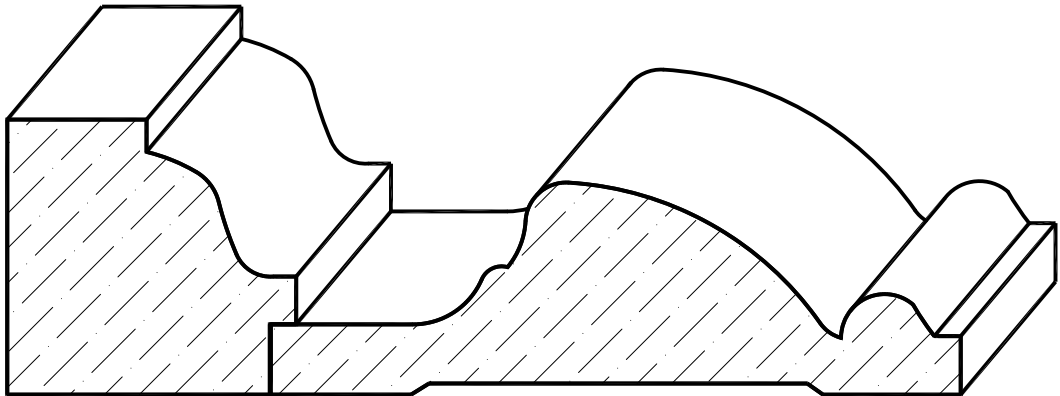
277
3/4"x2-3/4"



99
1-1/4"x4-1/4"

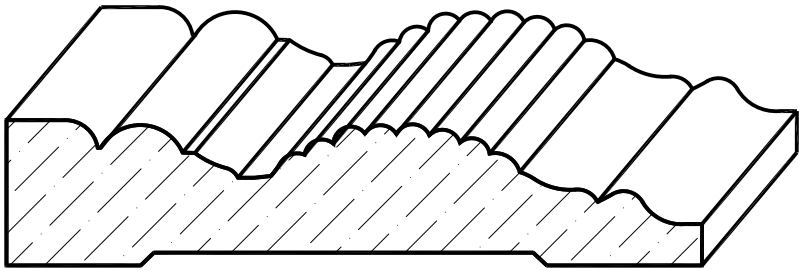


375
1"x3-3/4"



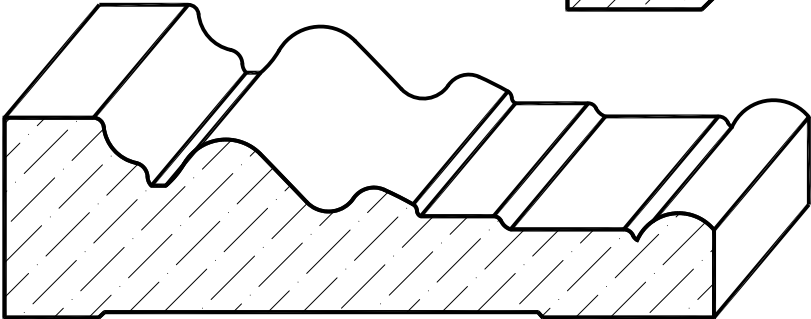
251
1-3/8"x1-1/2"

250
1"x3-1/2"



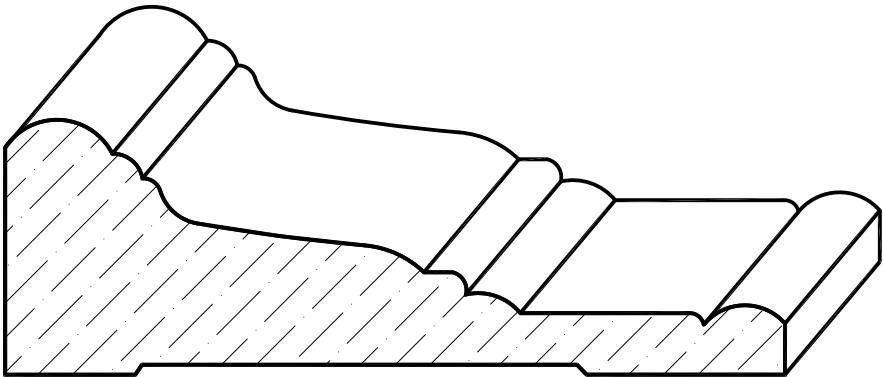
1375

11/16"x3-1/2"



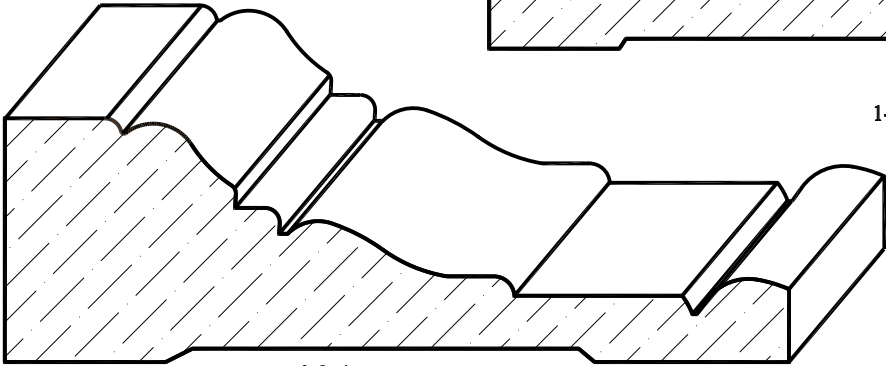
402

1"x3-1/2"



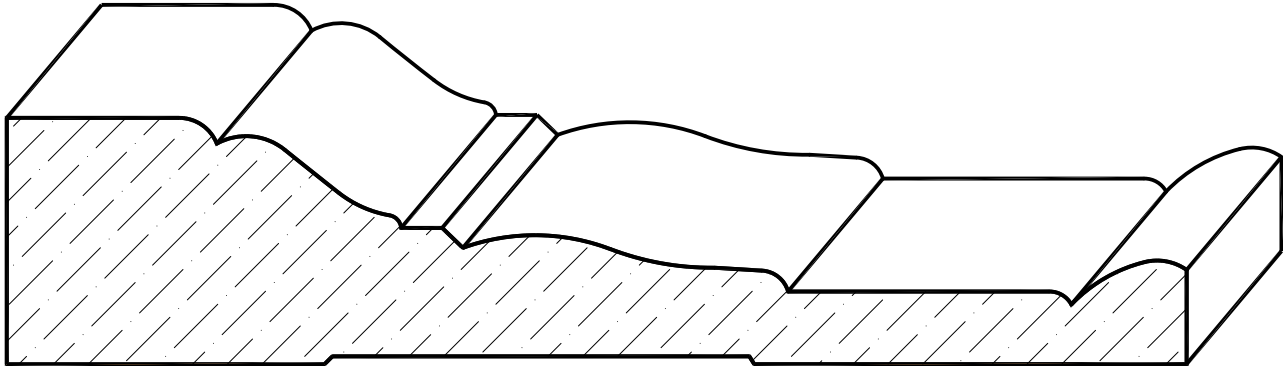
115

1-1/4"x4"



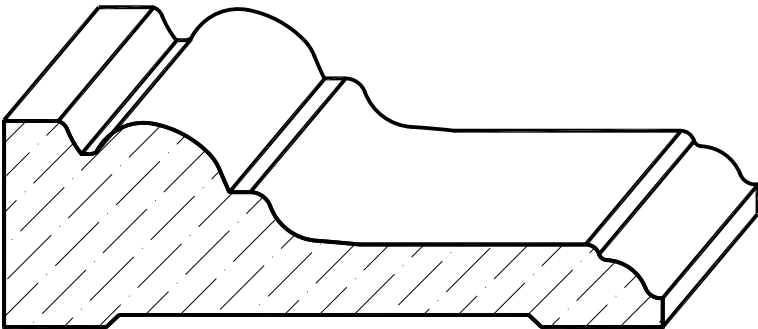
401

1-1/4"x4"



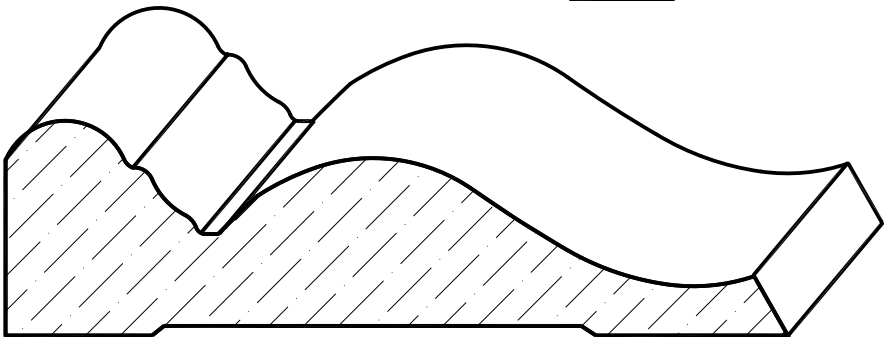
401 (6")

1-1/4"x6"



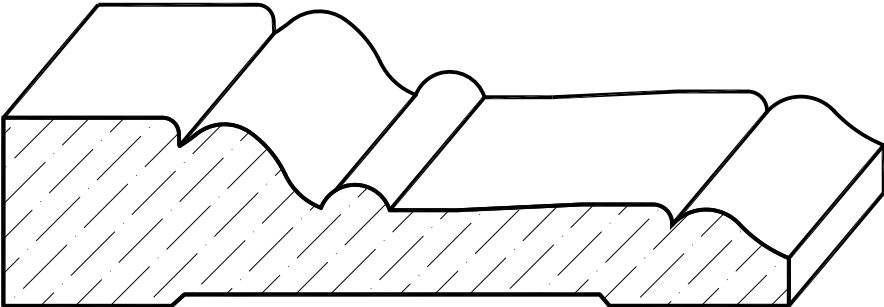
410

1"x1-3/8"



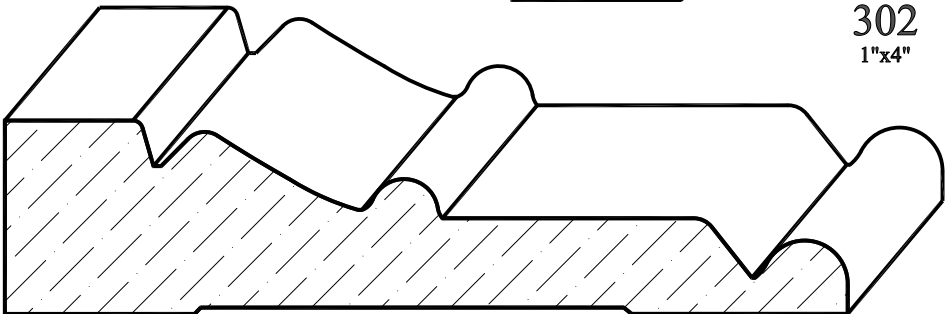
400

1"x4"



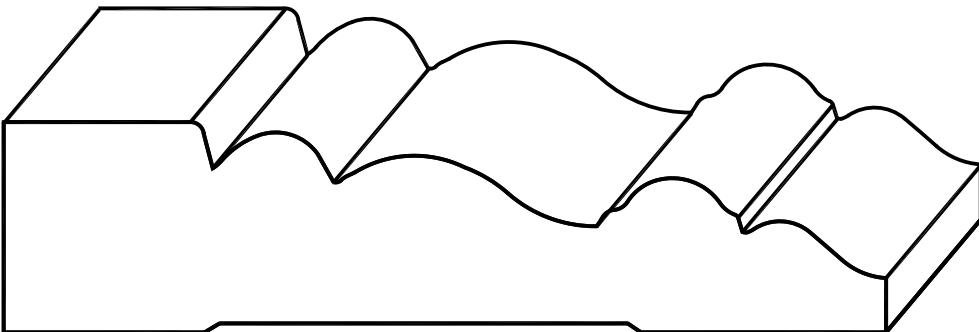
302

1"x4"



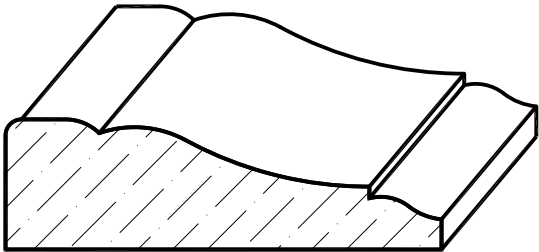
301

1"x4-1/4"

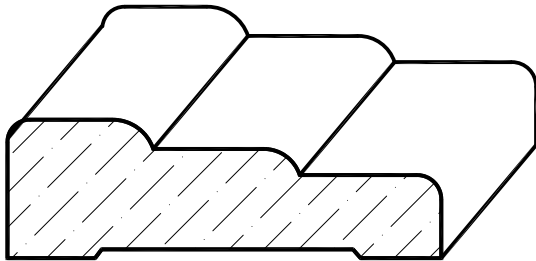


9053

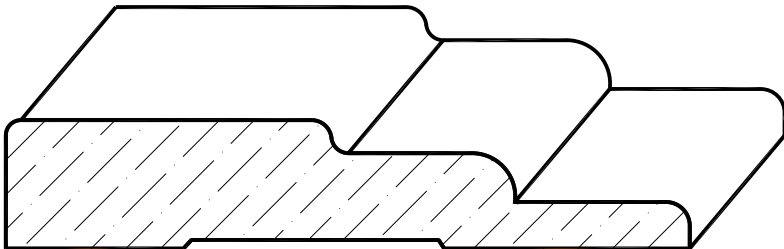
1-1/16"x4-1/2"



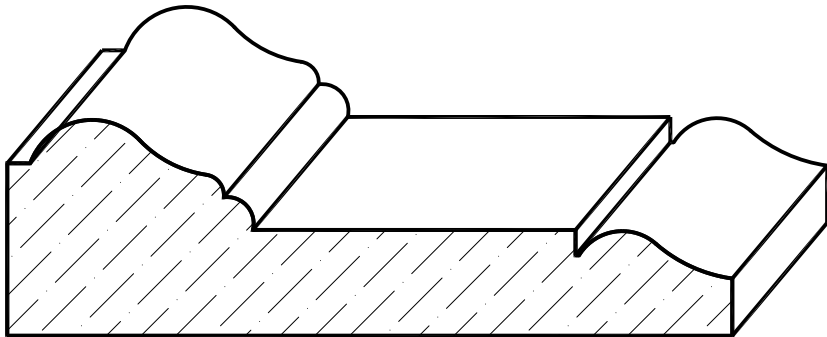
442
11/16"x2-1/4"



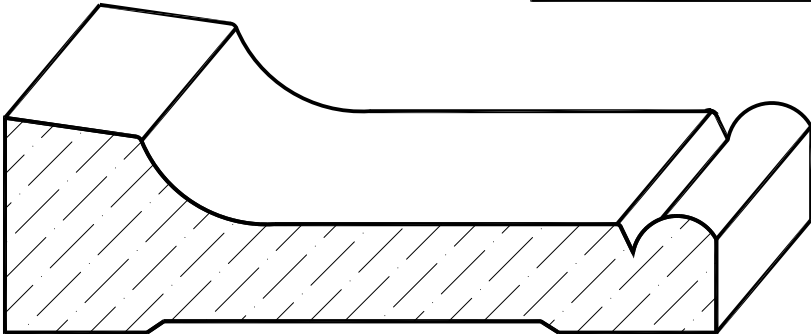
1304
5/8"x2-1/4"



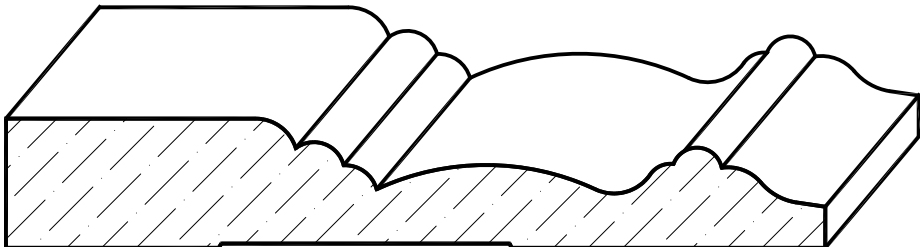
316
11/16"x3-1/2"



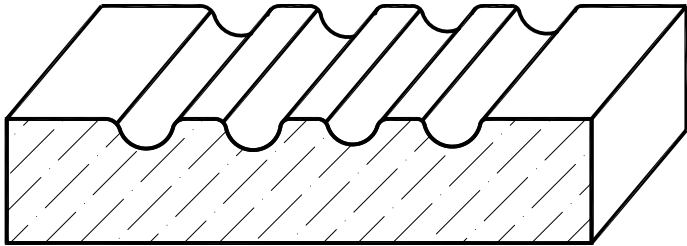
460
1-1/16"x3-11/16"



412
1-1/16"x3-5/8"

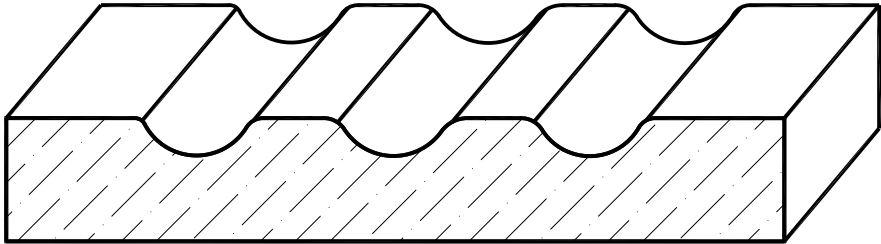


803
11/16"x4-1/4"

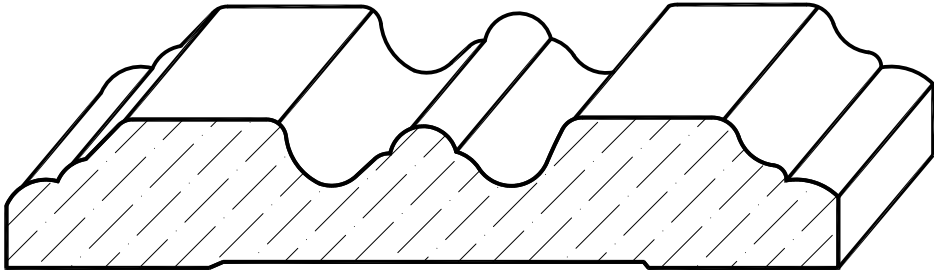


5/8"x3" Fluted

3/4X8" Fluted Casing

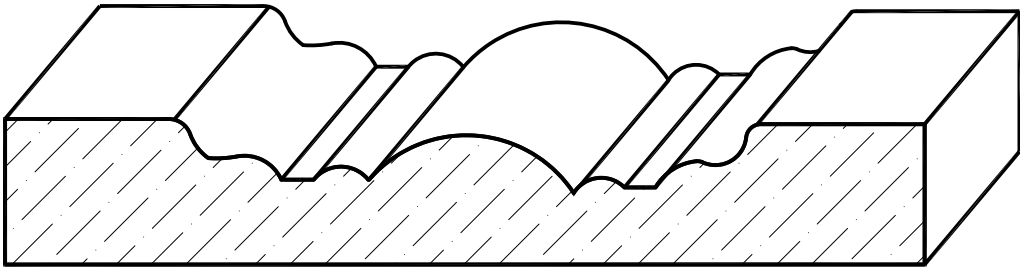


11/16"x4" fluted (3 flutes)



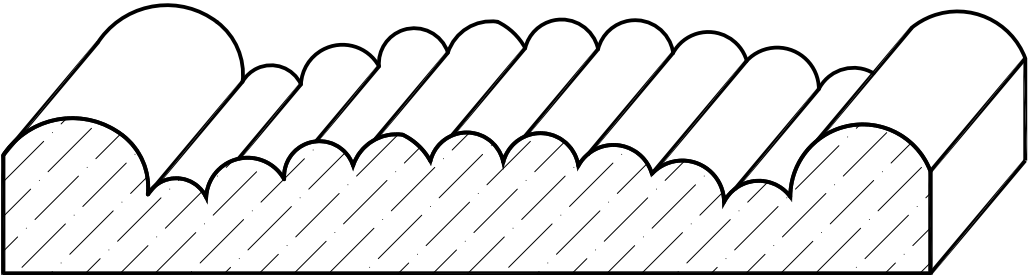
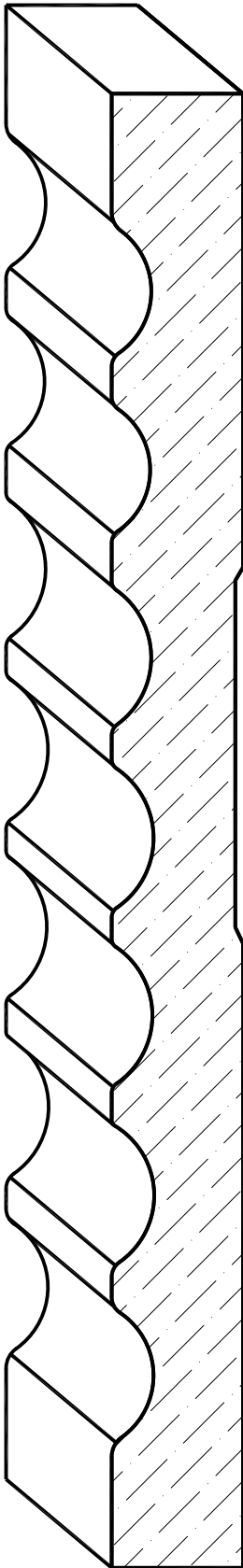
2593

3/4"x4-1/4"

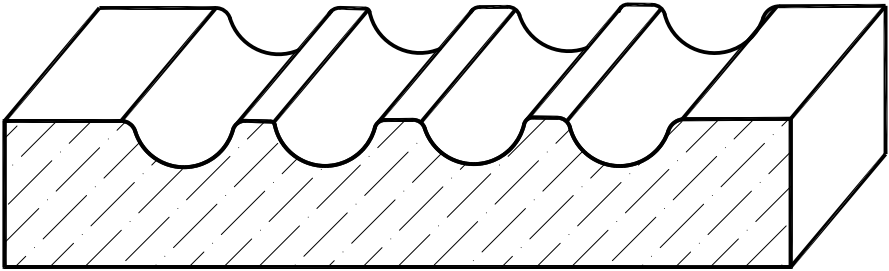


2590

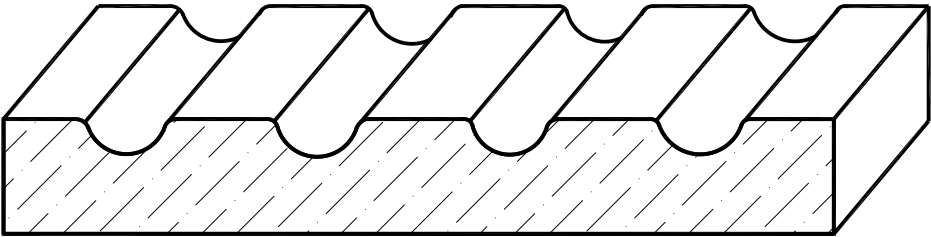
3/4"x4-3/4"



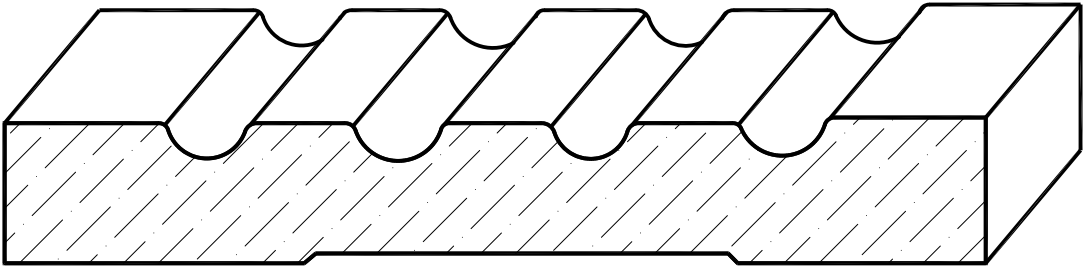
3/4x4-3/4" Redded



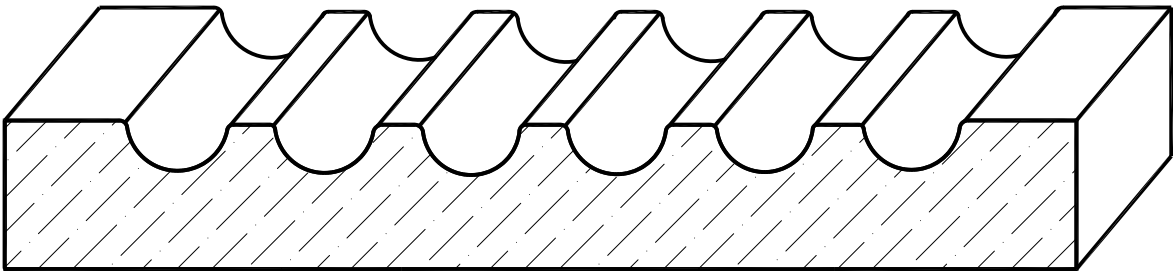
3/4"x4" Fluted



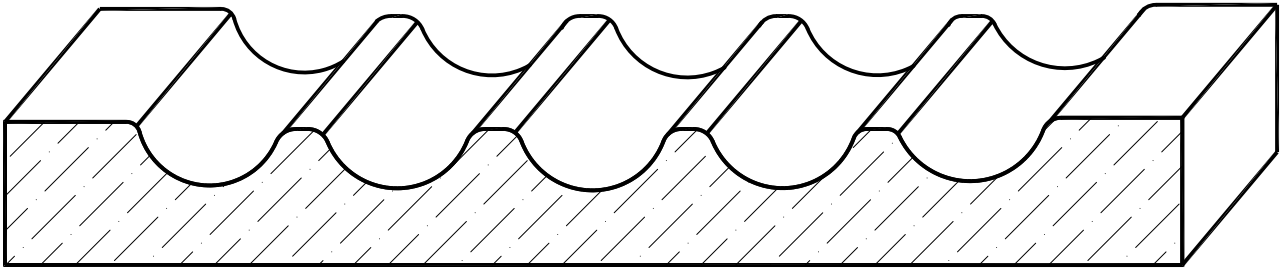
11/16"x4-1/4"



3/4X5" Fluted

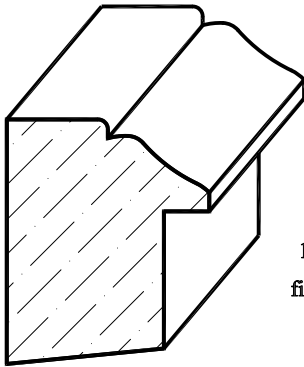


3/4"x5-1/2" Fluted

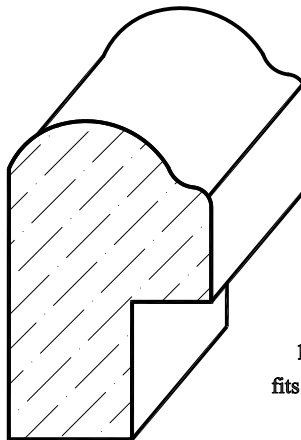


3/4"x6" Fluted

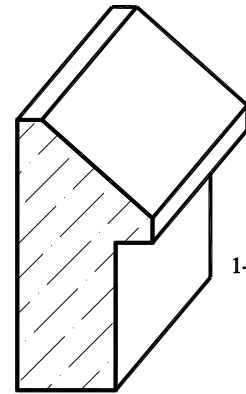
Back Band



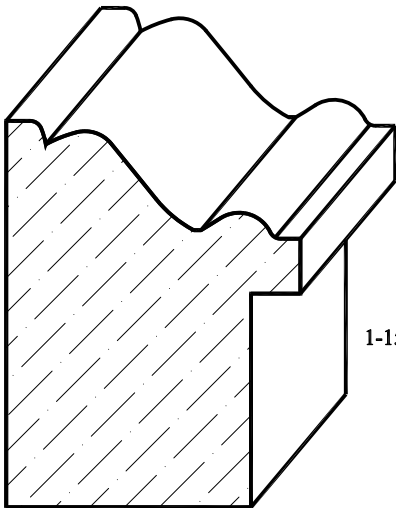
281
1-1/4"x1"
fits 444,445



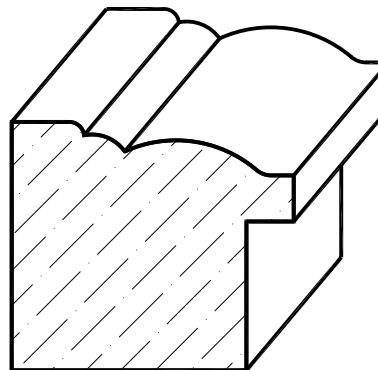
288
1-5/8"x1"
fits 3/4" and 1"



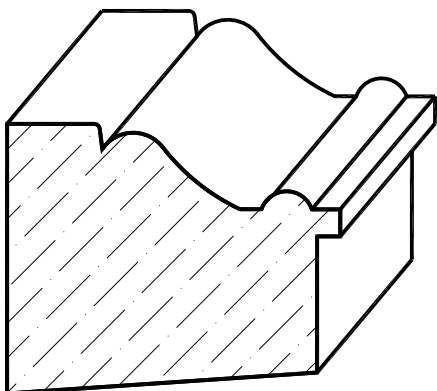
120
1-7/16"x11/16"



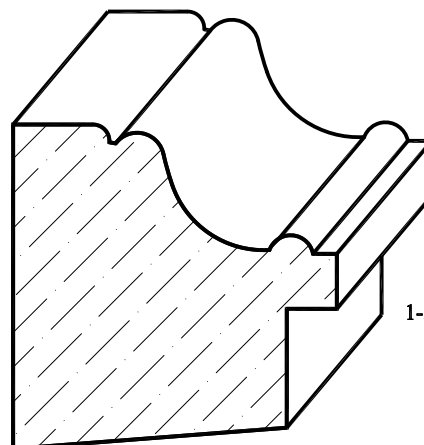
125
1-15/16"x1-1/2"
fits 1"



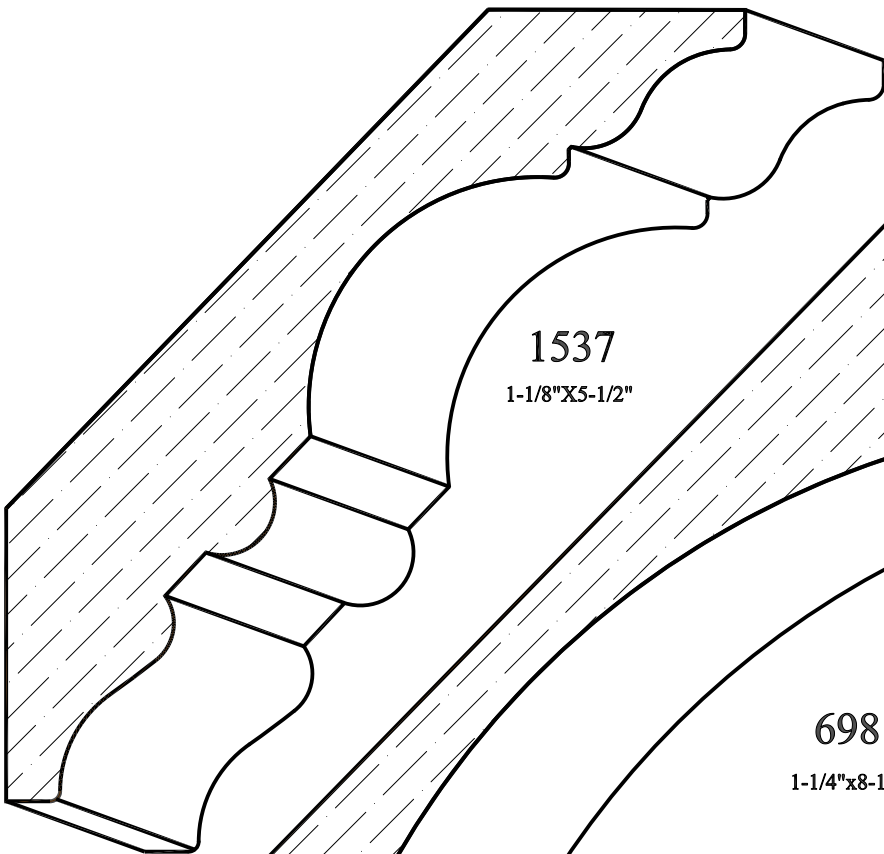
1379
1-1/4"x1-7/16"
fits 3/4"



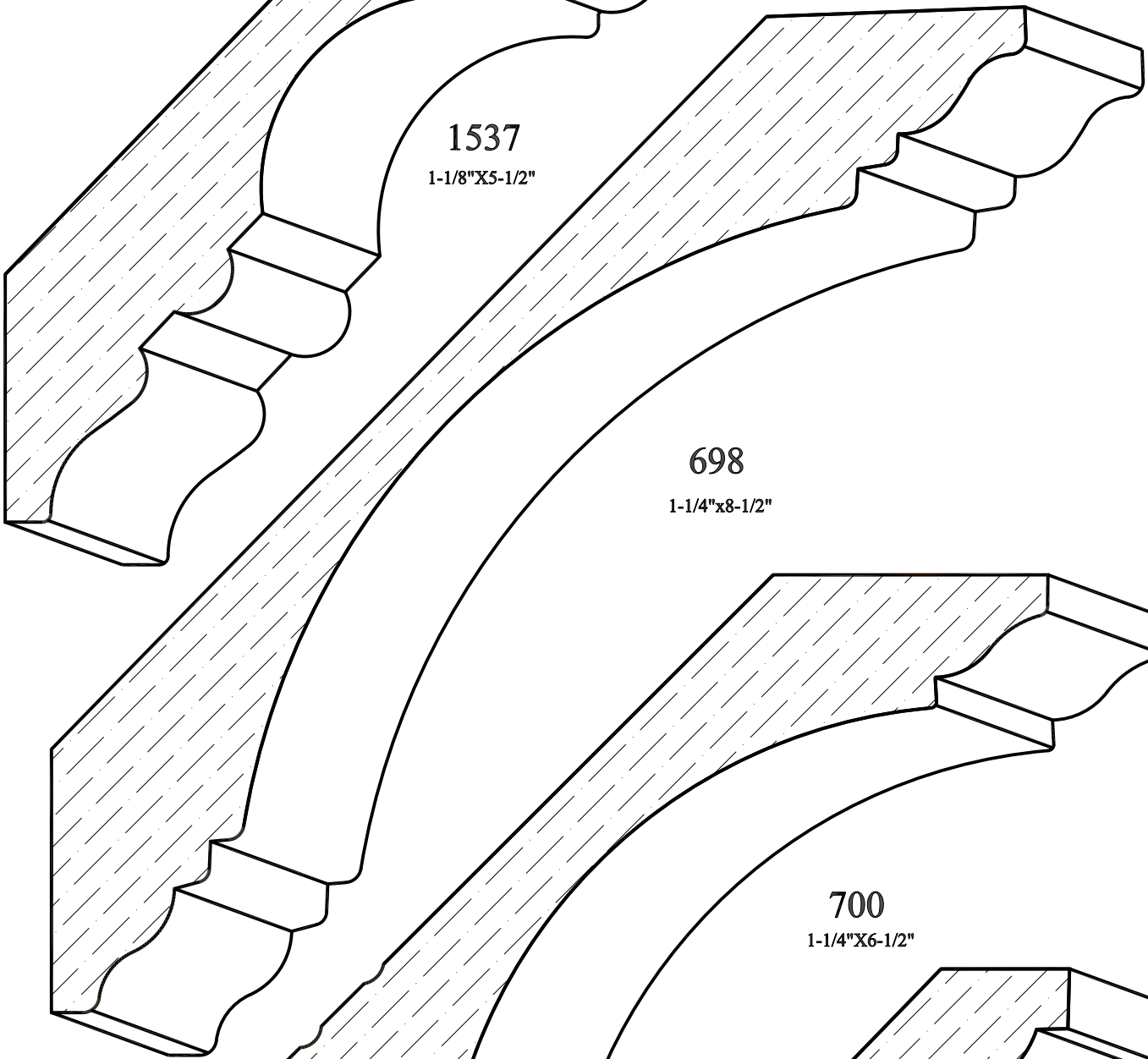
285
1-5/16"x1-3/4"
(fits 444,445)



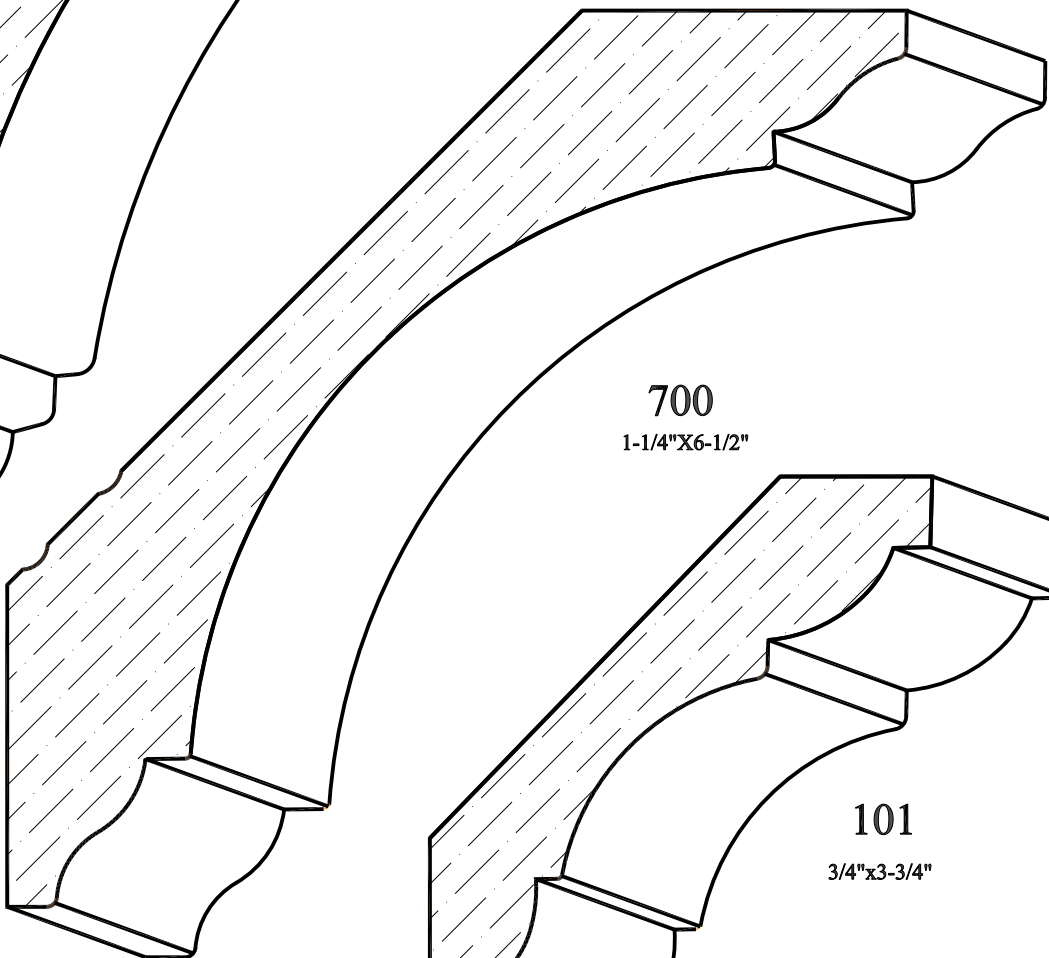
510
1-5/8"x1-5/8"



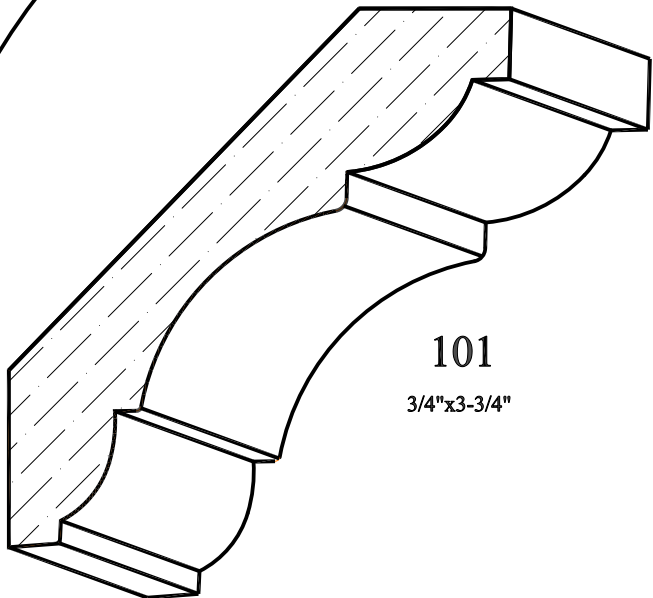
1537
1-1/8"x5-1/2"



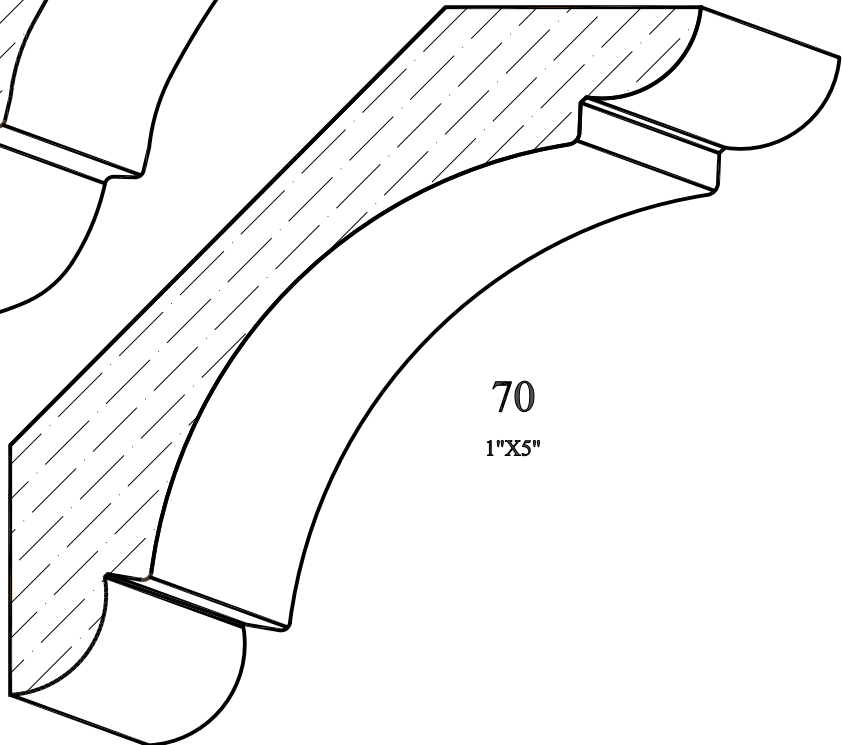
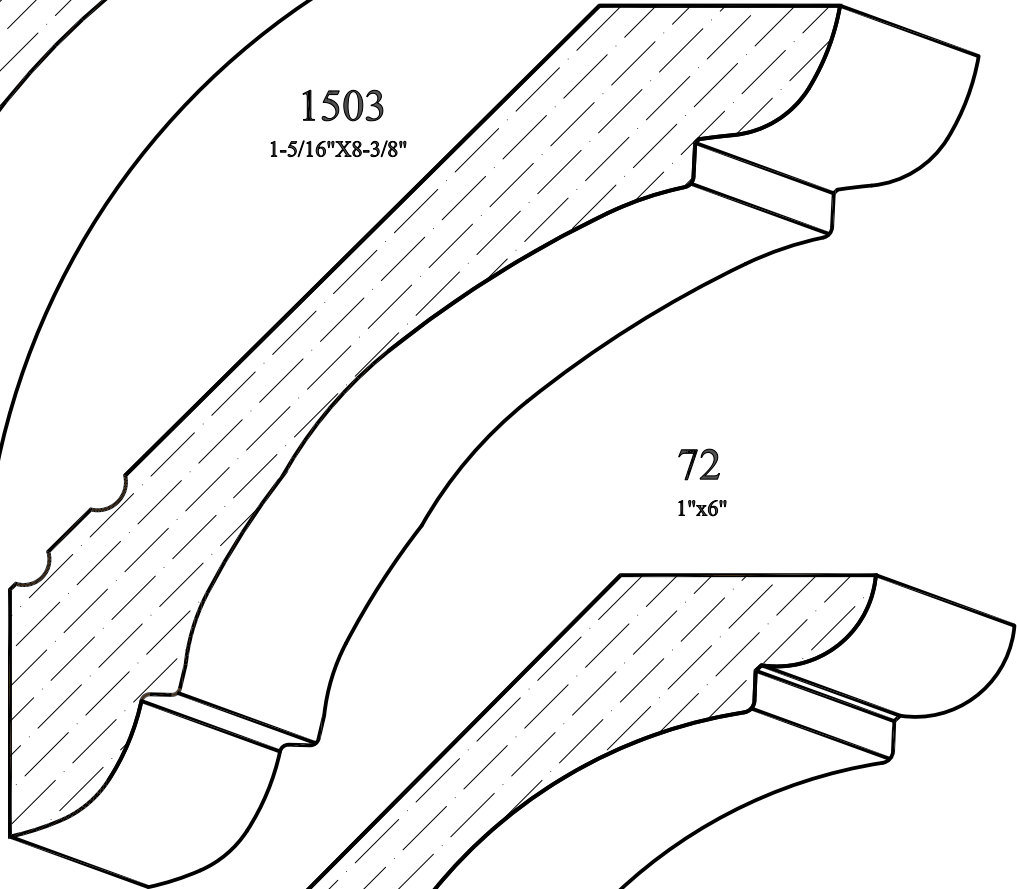
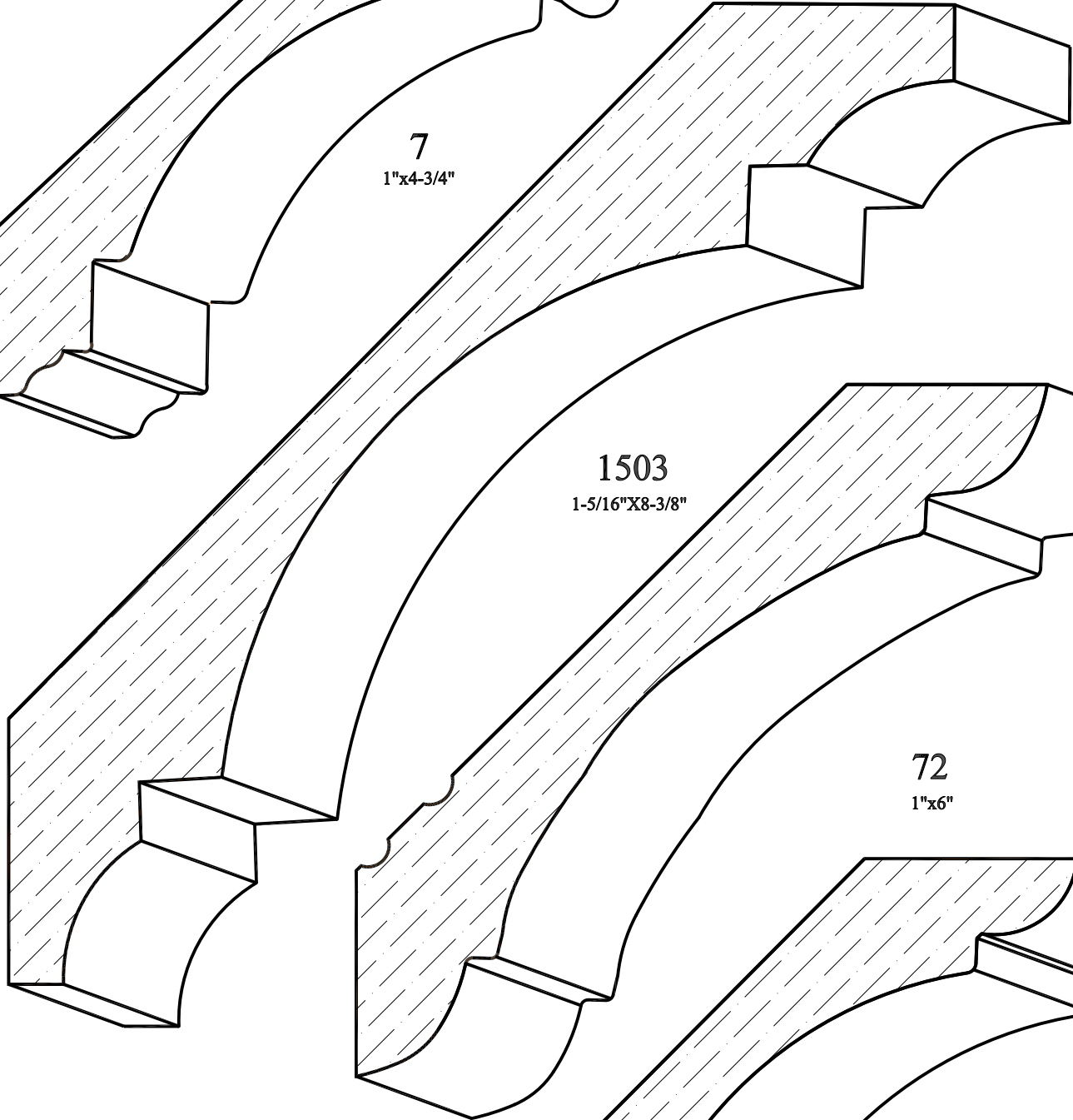
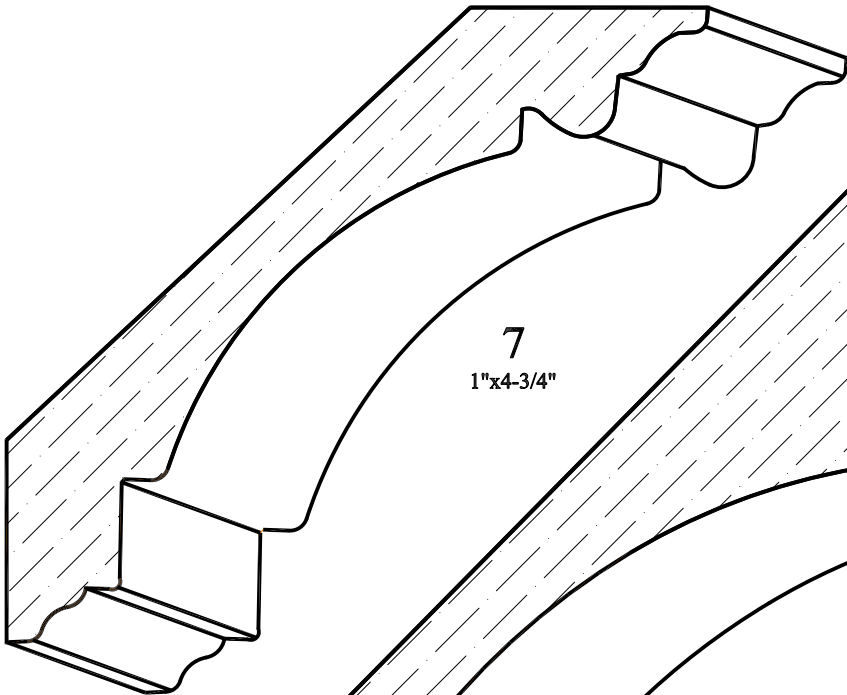
698
1-1/4"x8-1/2"

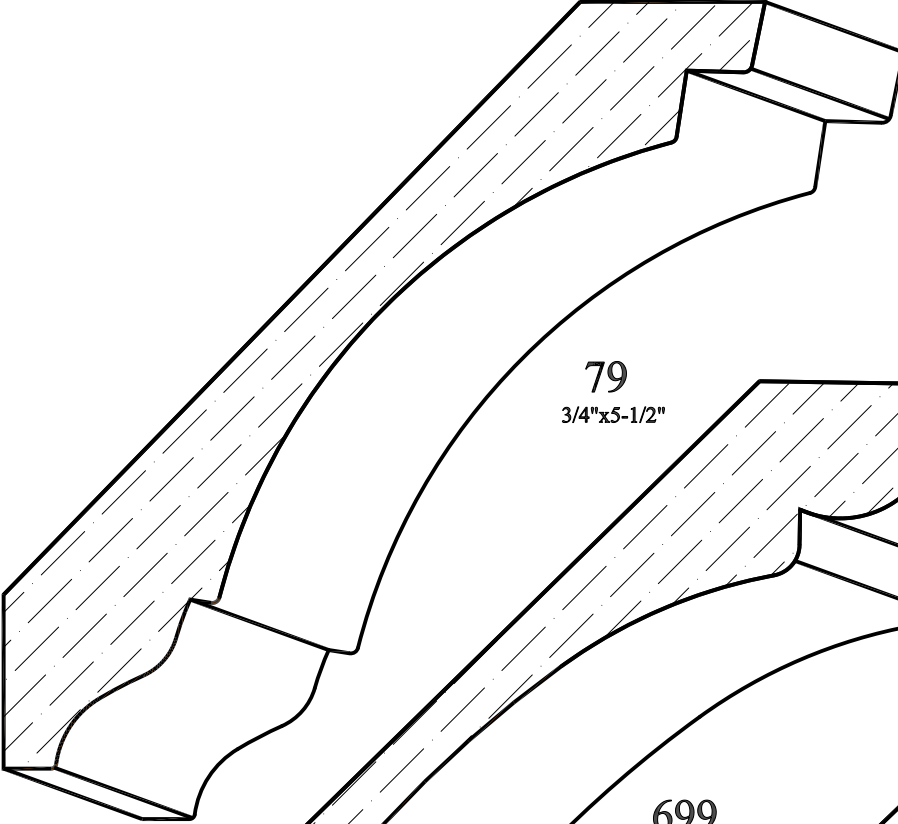


700
1-1/4"x6-1/2"

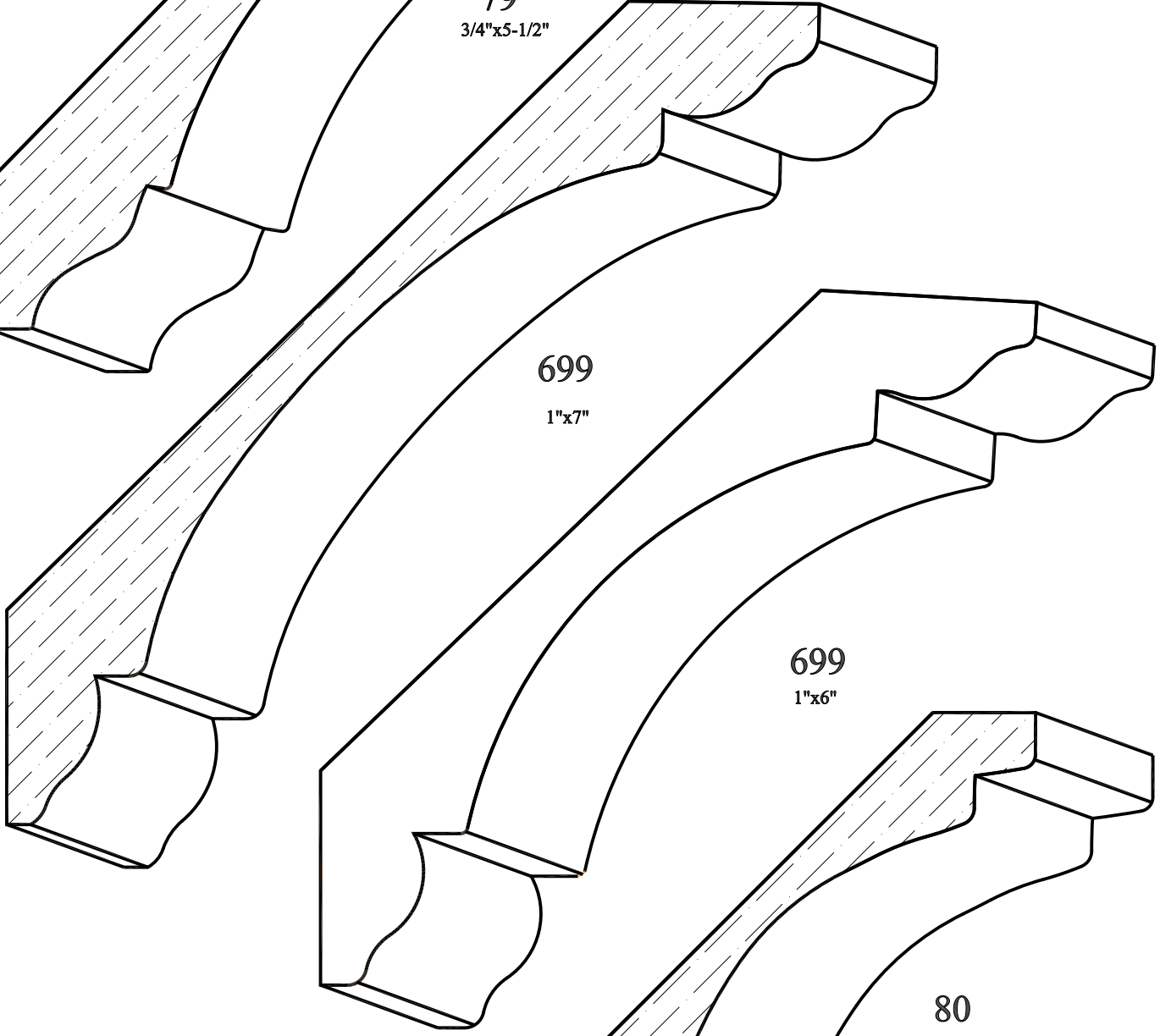


101
3/4"x3-3/4"



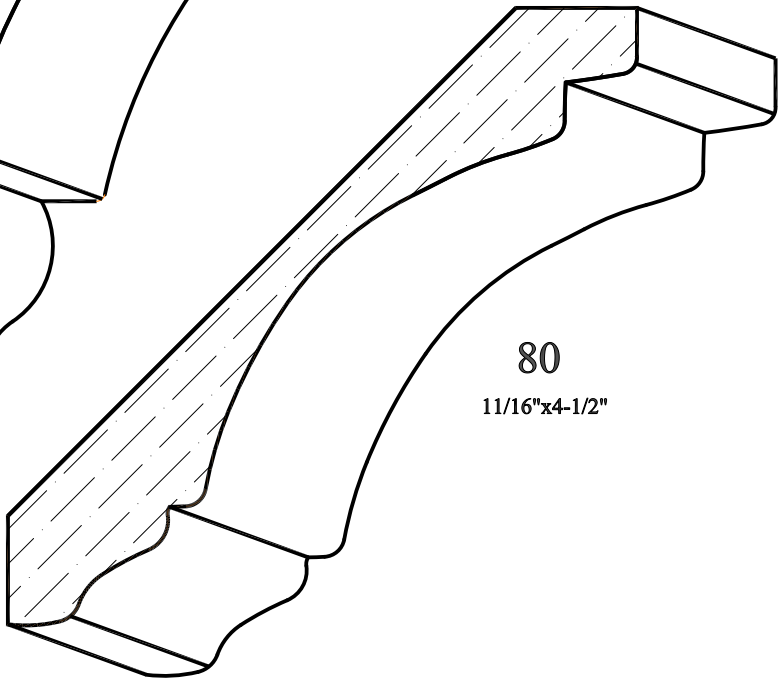


79
3/4"x5-1/2"

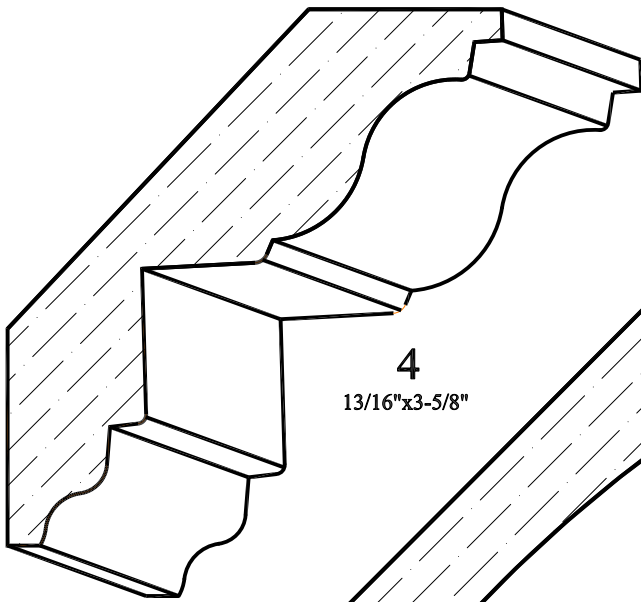


699
1"x7"

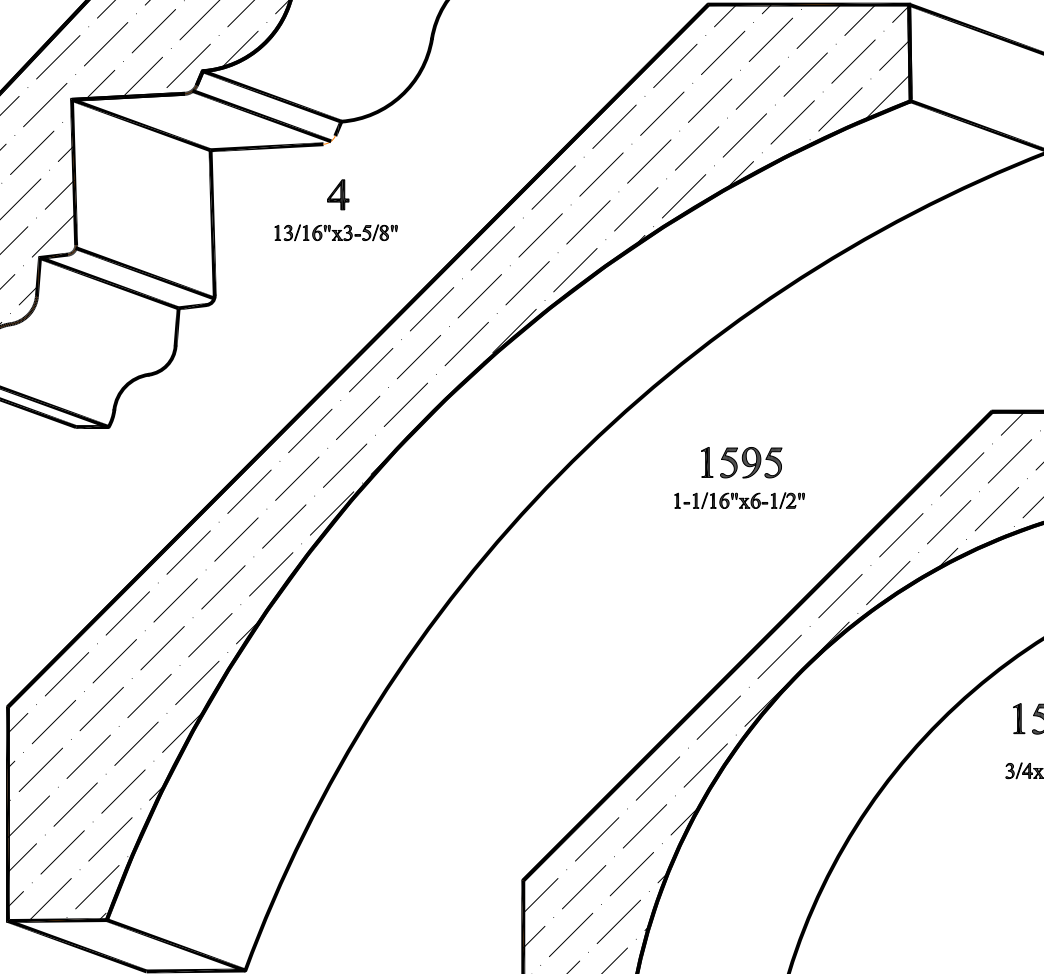
699
1"x6"



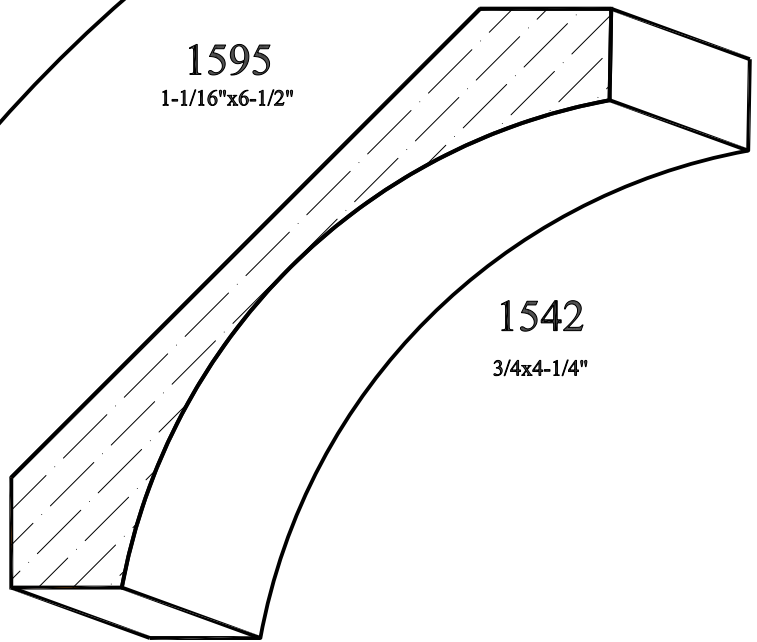
80
11/16"x4-1/2"



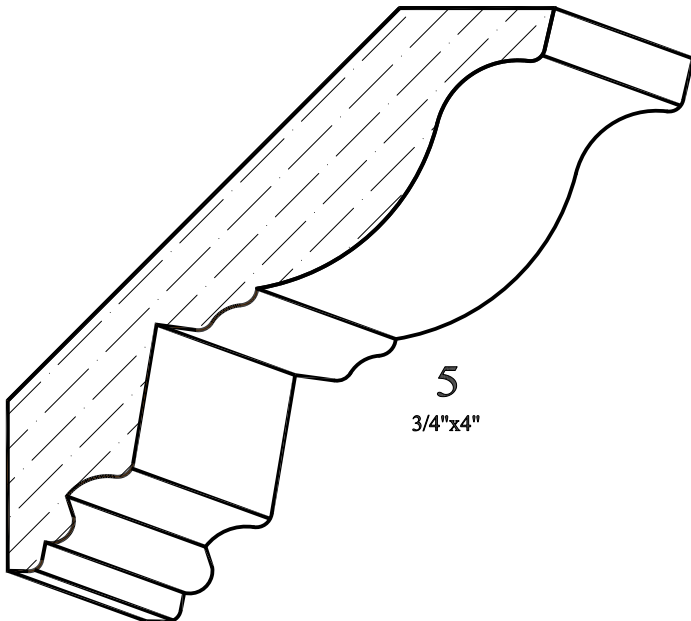
4
13/16"x3-5/8"



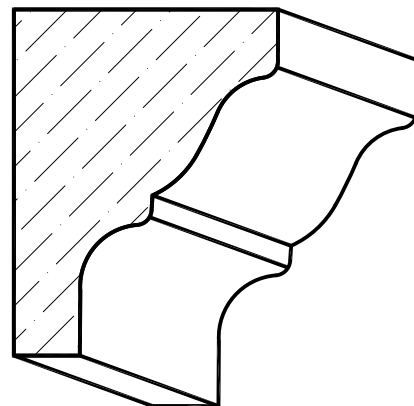
1595
1-1/16"x6-1/2"



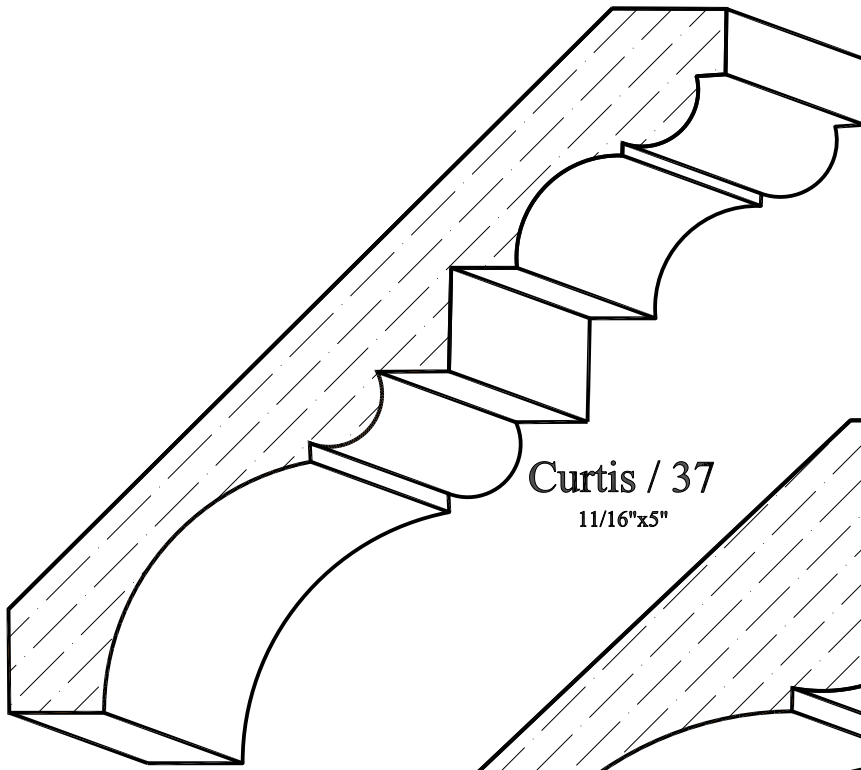
1542
3/4"x4-1/4"



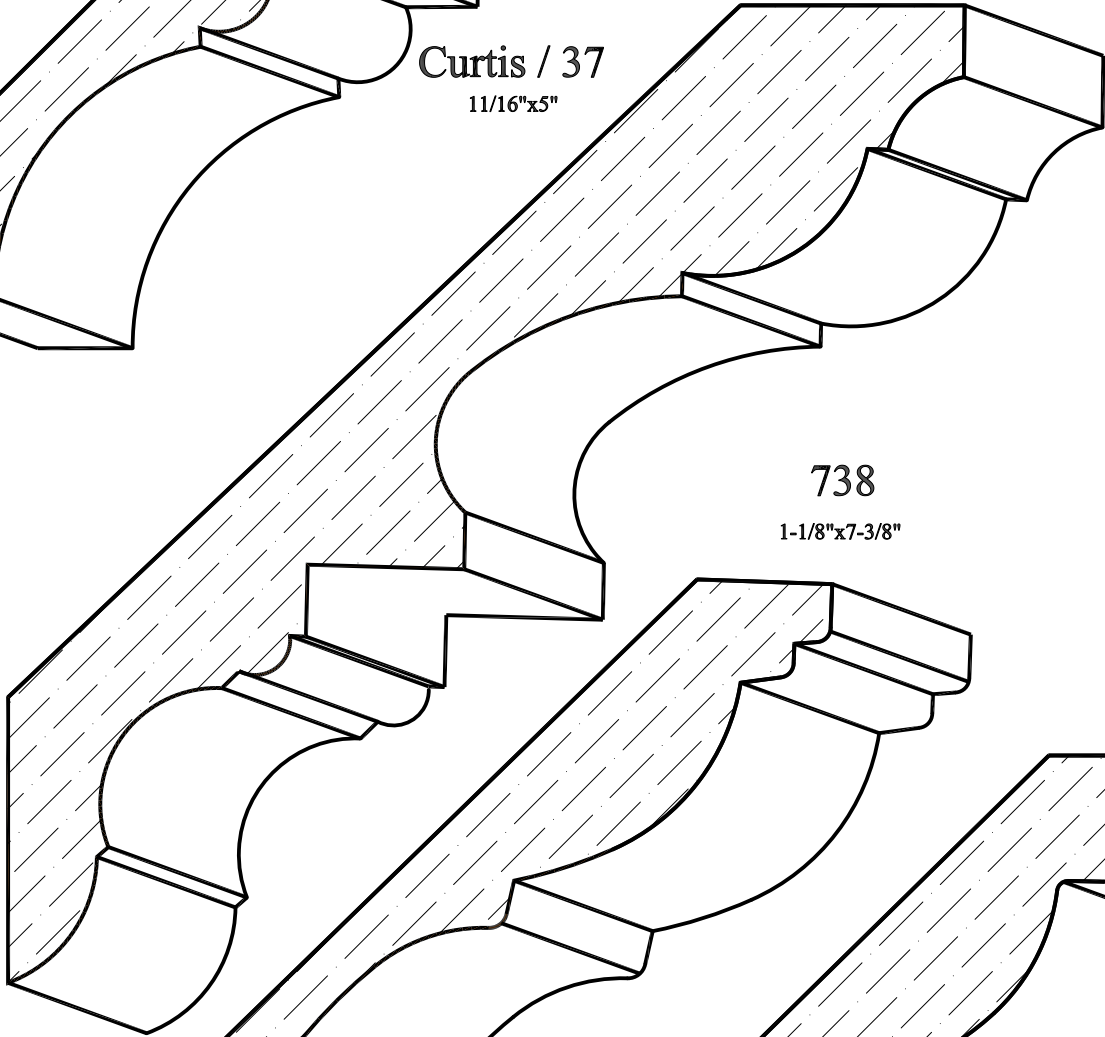
5
3/4"x4"



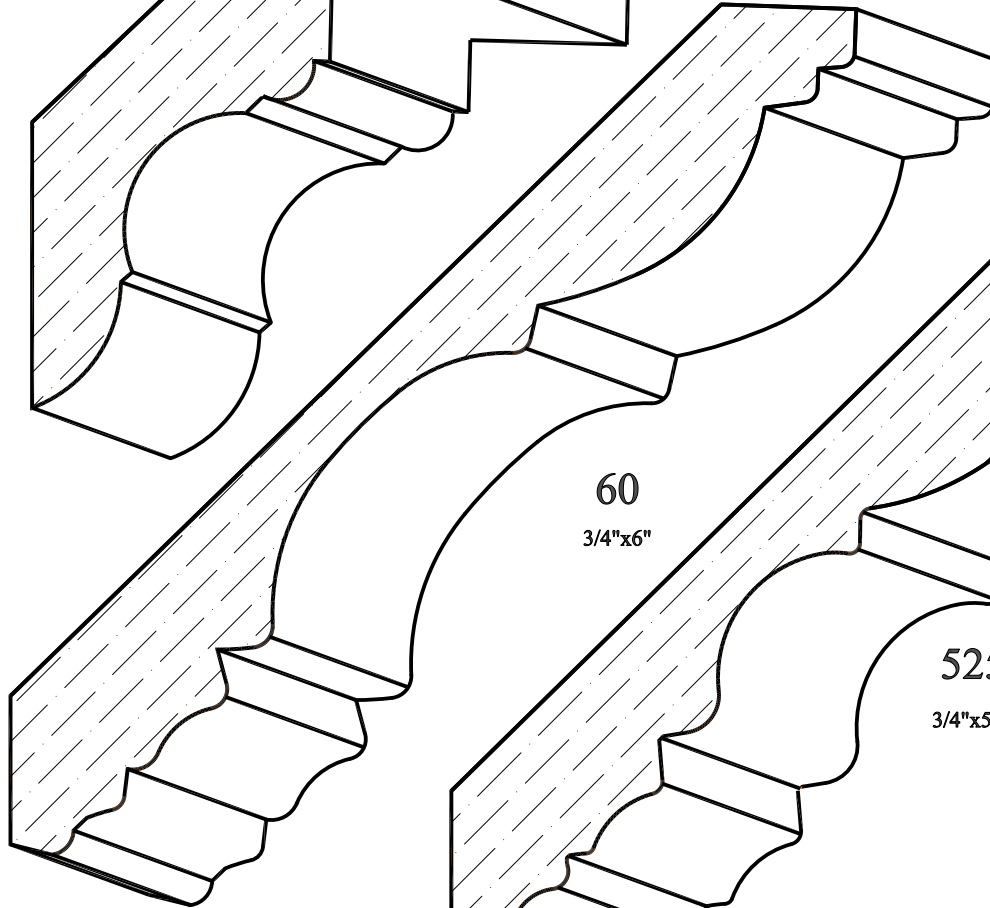
LW Capital Mould
1-3/4"x1-3/8"



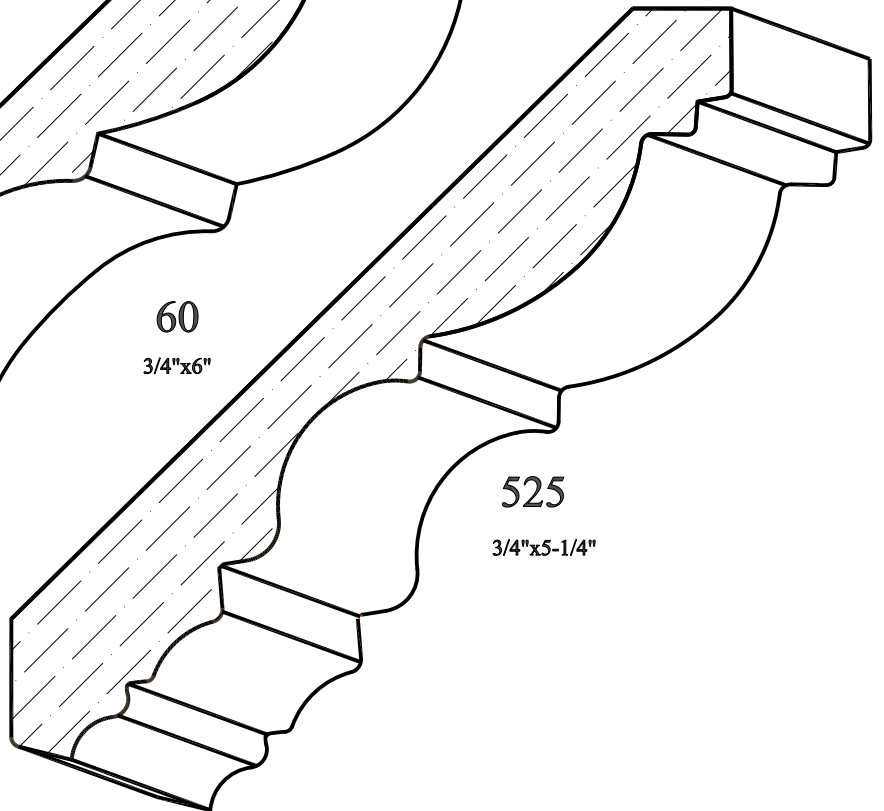
Curtis / 37
11/16"x5"



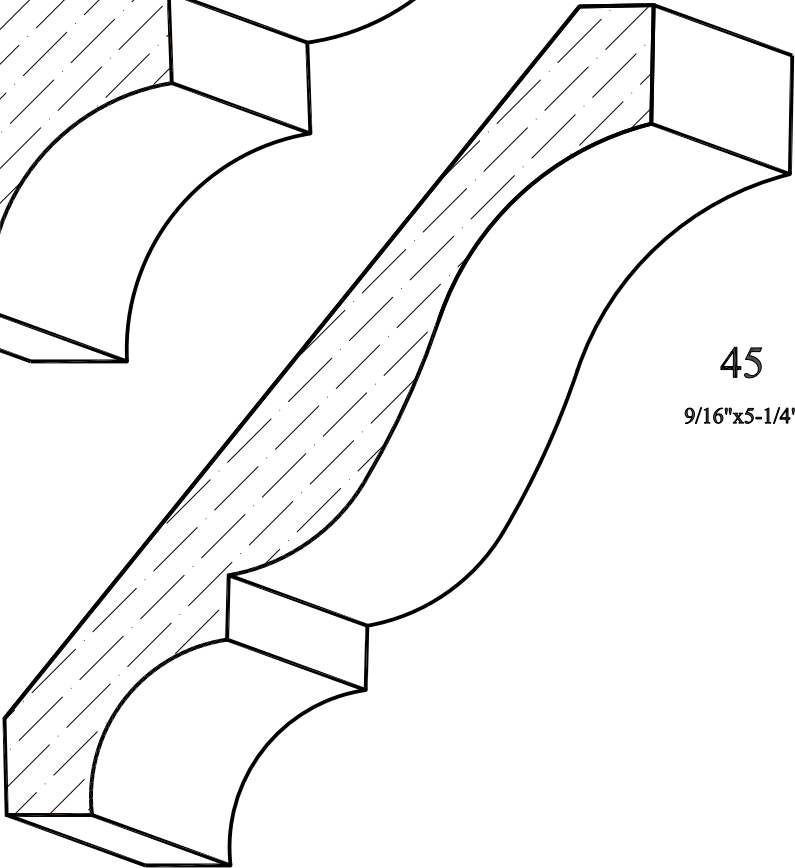
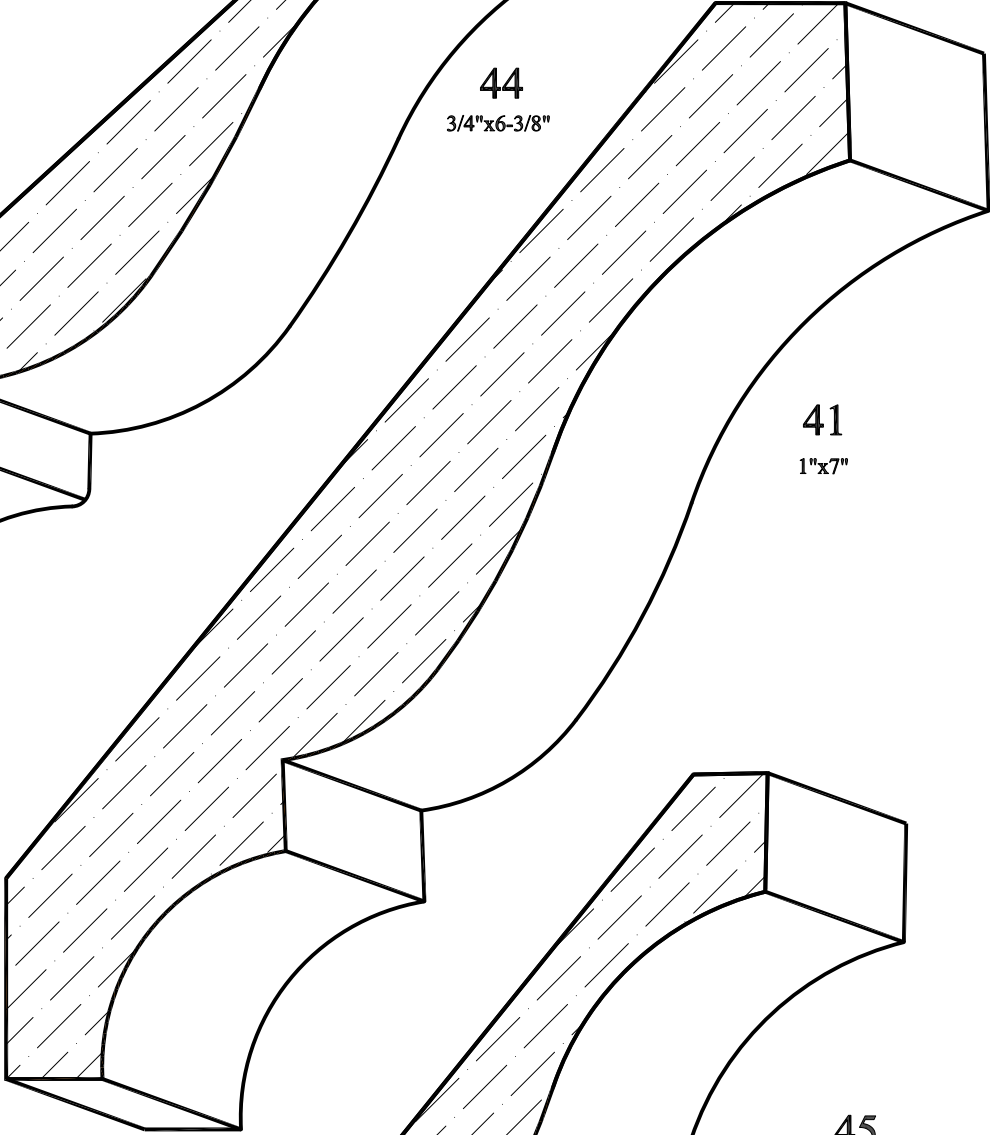
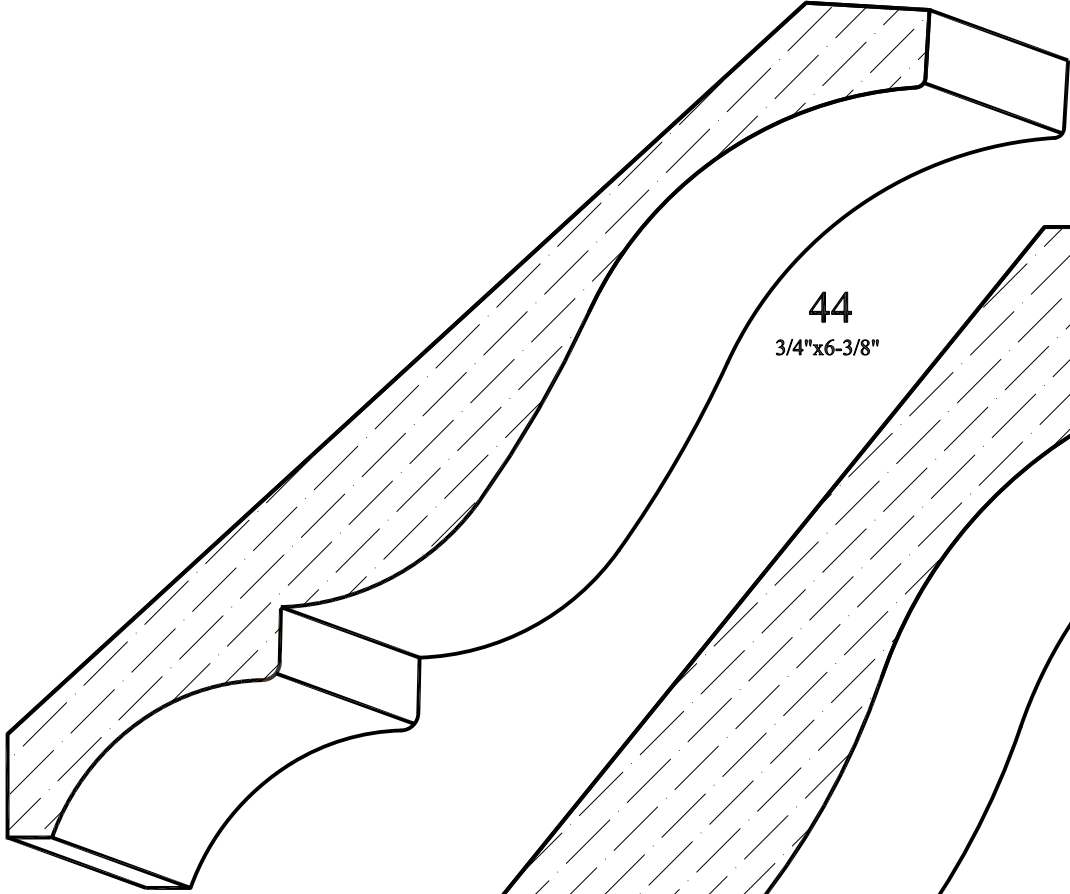
738
1-1/8"x7-3/8"

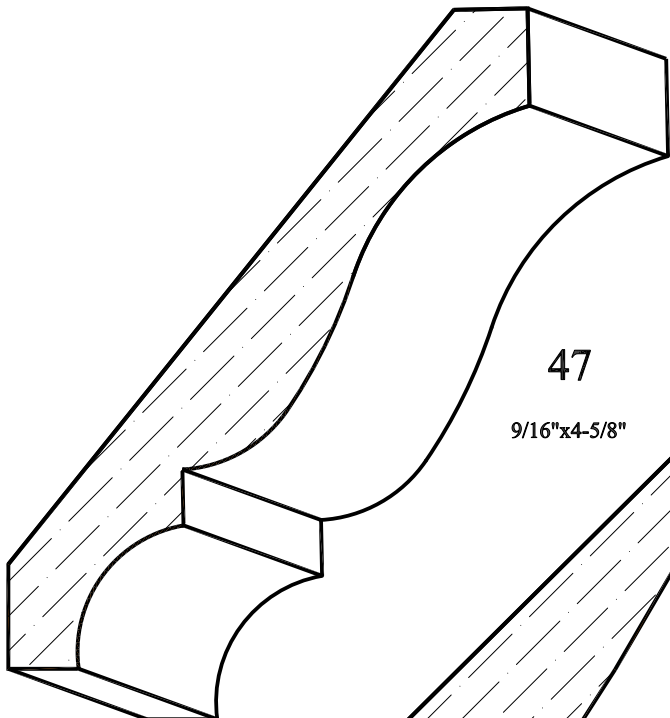


60
3/4"x6"



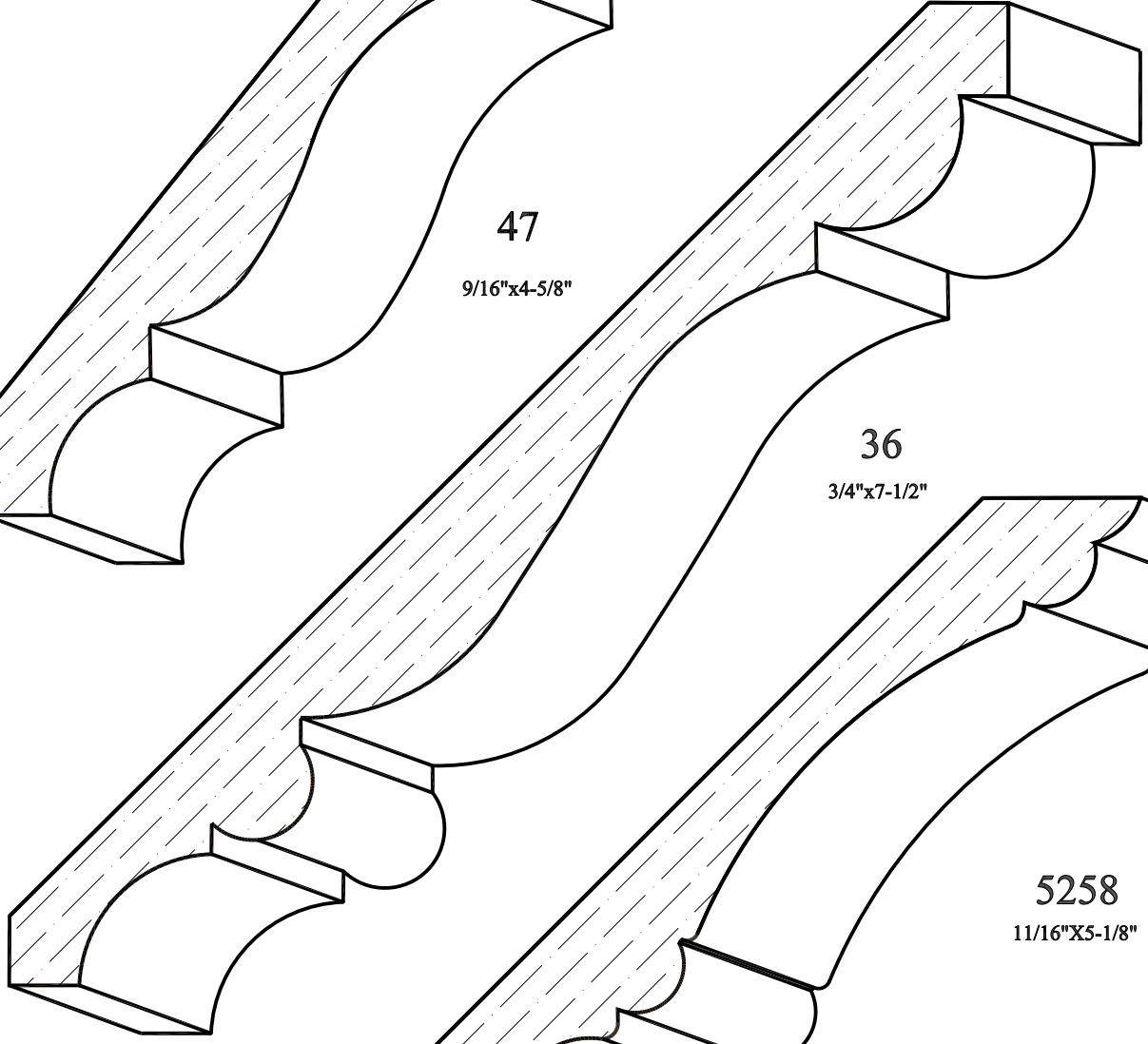
525
3/4"x5-1/4"





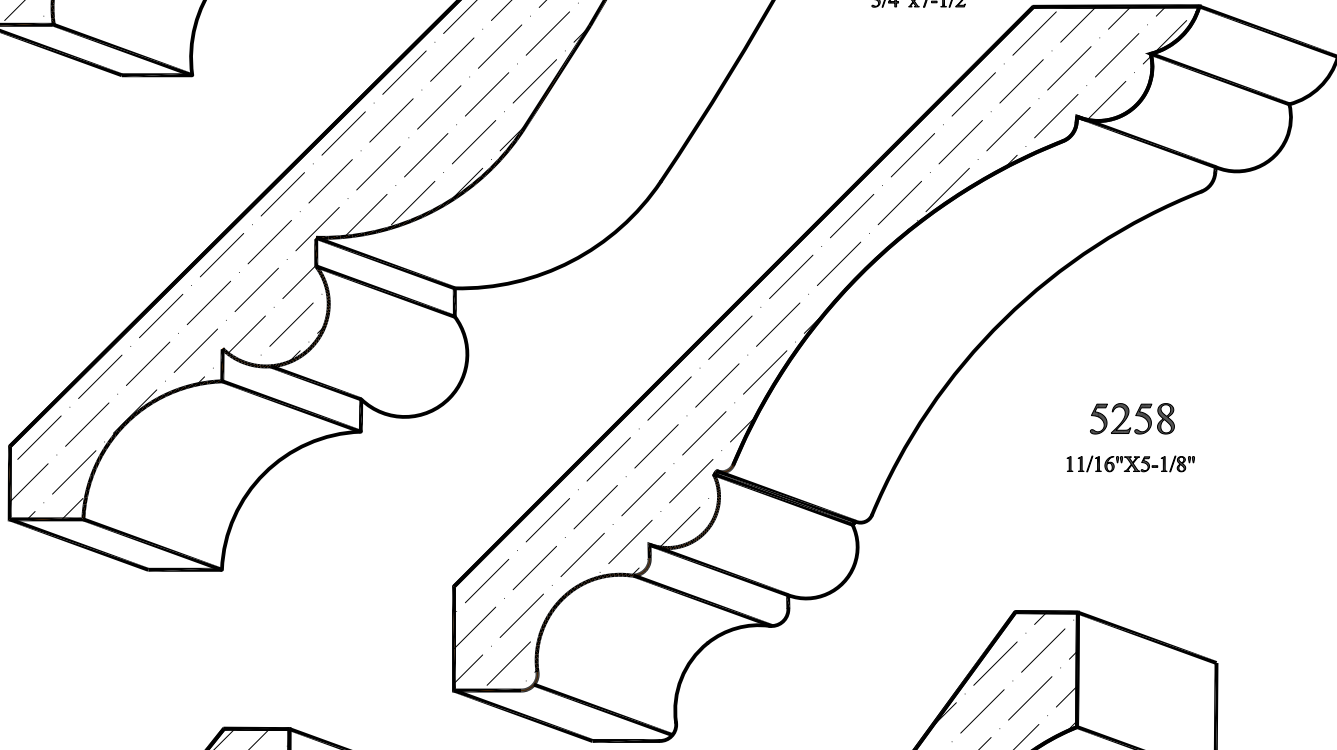
47

9/16"x4-5/8"



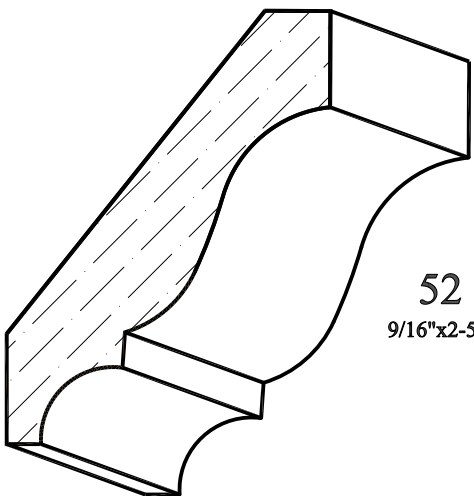
36

3/4"x7-1/2"



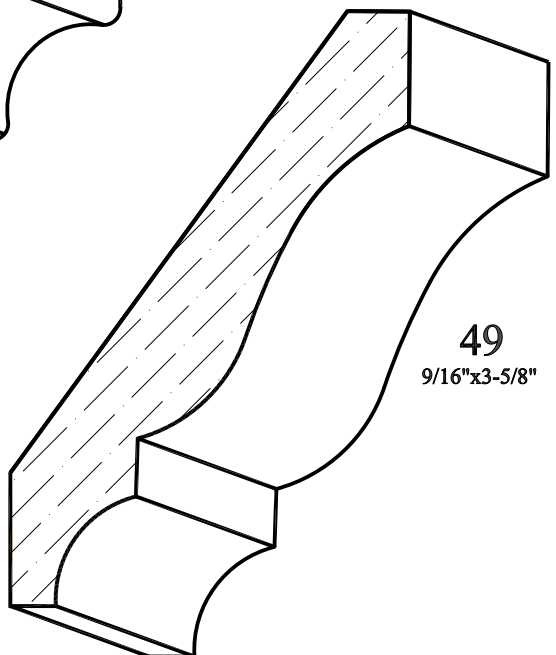
5258

11/16"x5-1/8"



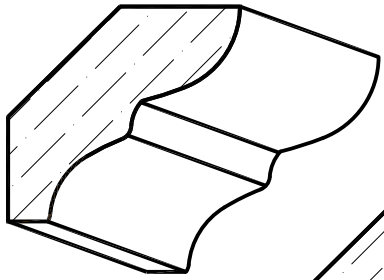
52

9/16"x2-5/8"

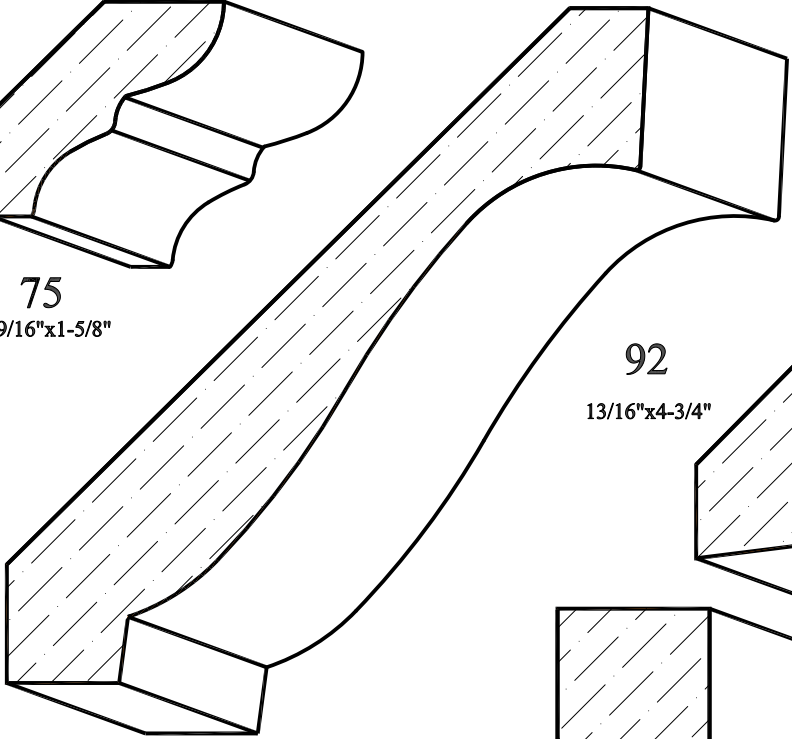


49

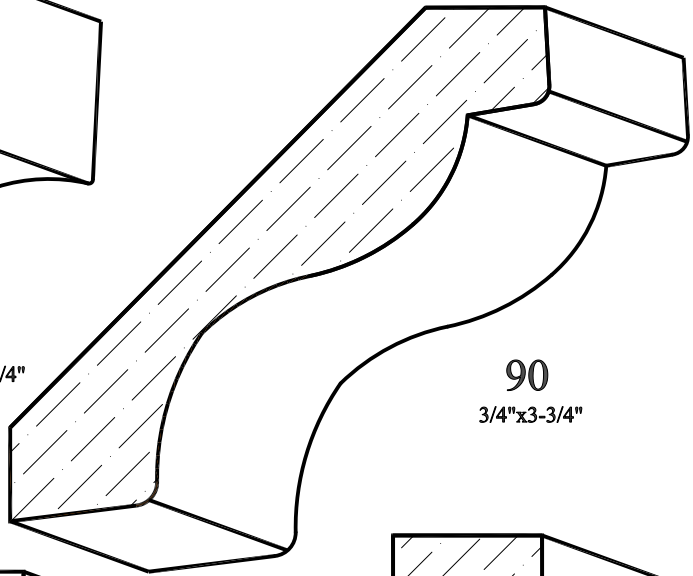
9/16"x3-5/8"



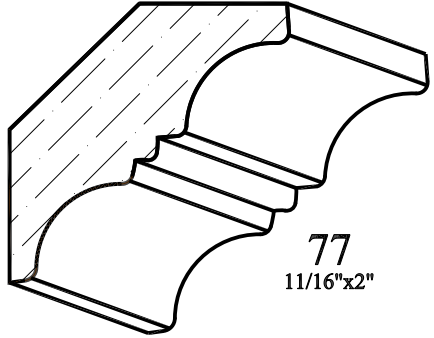
75
9/16"x1-5/8"



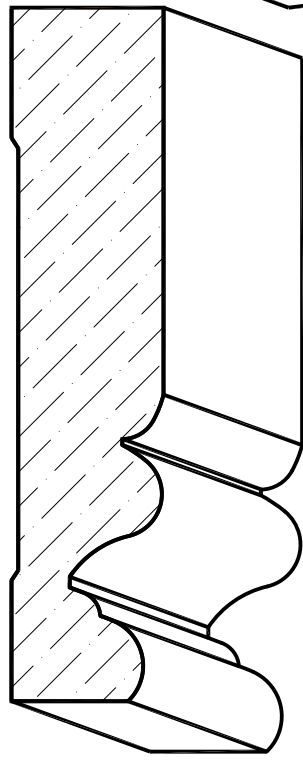
92
13/16"x4-3/4"



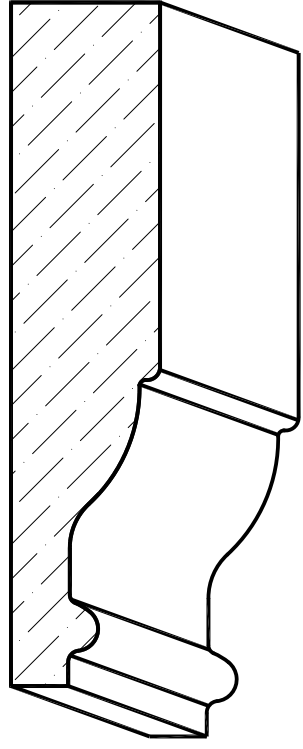
90
3/4"x3-3/4"



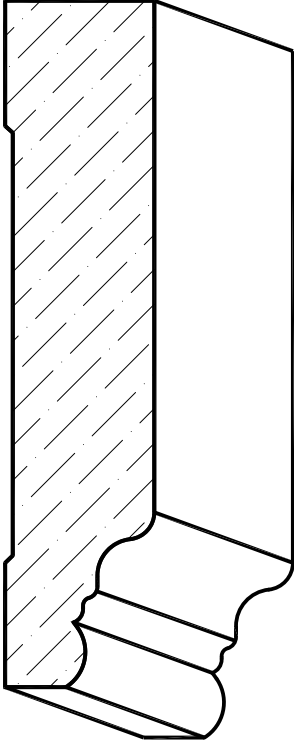
77
11/16"x2"



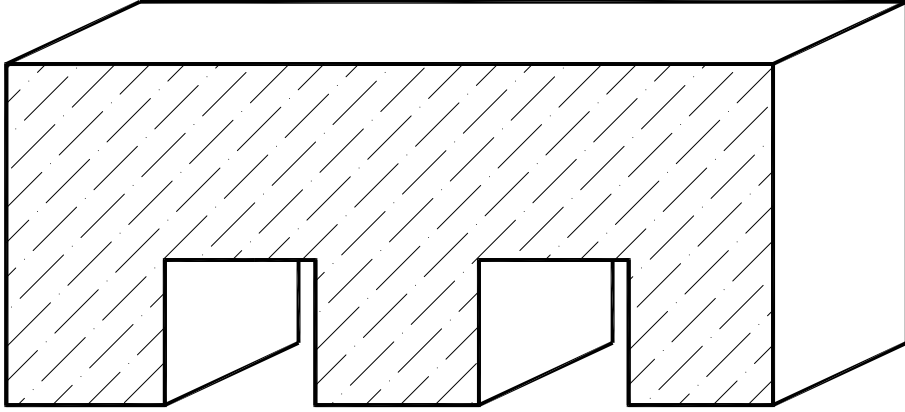
330 Crown Backer
3/4"x3-1/2"



407 Crown Backer
3/4"x3-1/2"



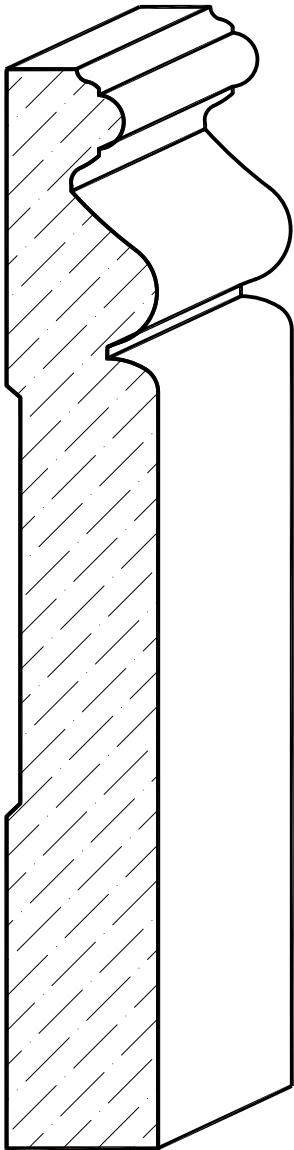
325 Crown Backer
3/4"x3-1/2"



Dentil Mould
1/2"x1-3/4"

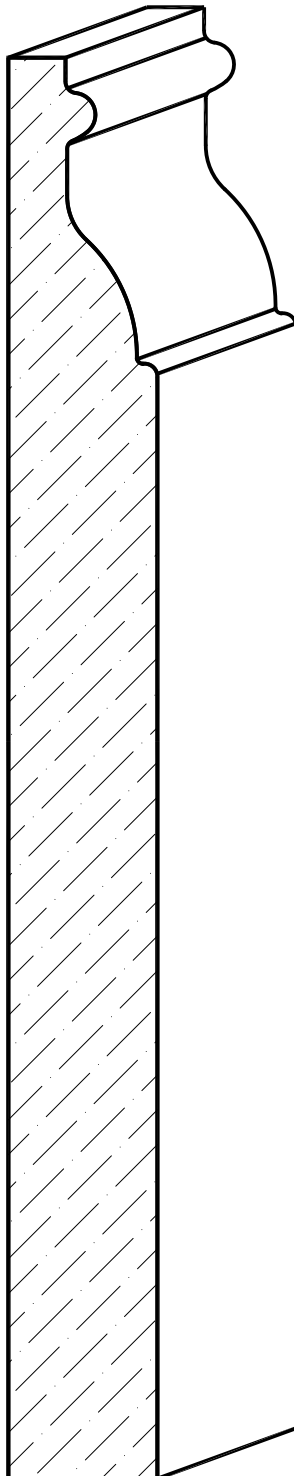
164

13/16"x1-5/8"
fits 1/2"



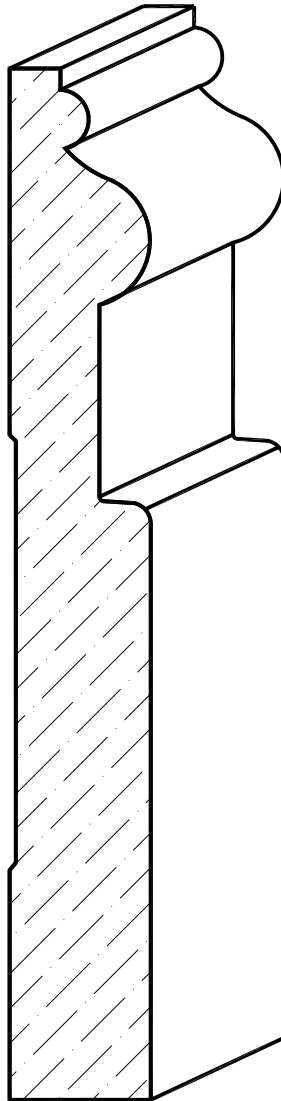
718

3/4"x5-1/2"



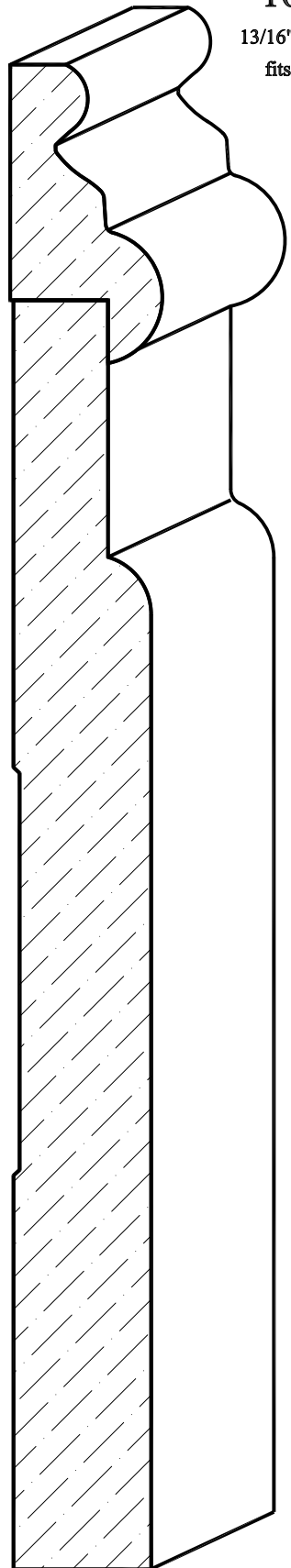
407

3/4"x7-1/4"
available in 5-1/4"



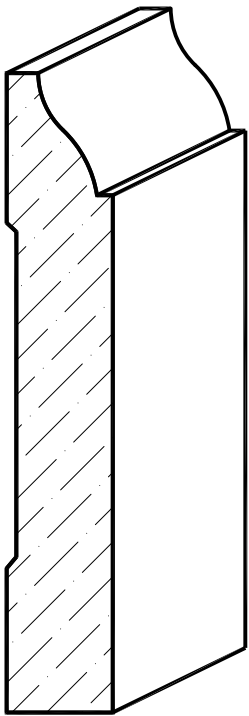
725

3/4"x5-1/4"
available in 7-1/4"

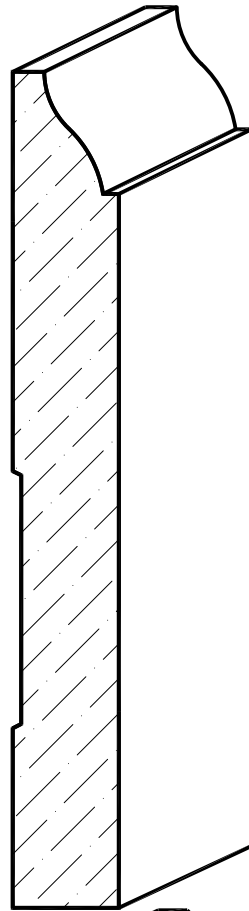


JP Base

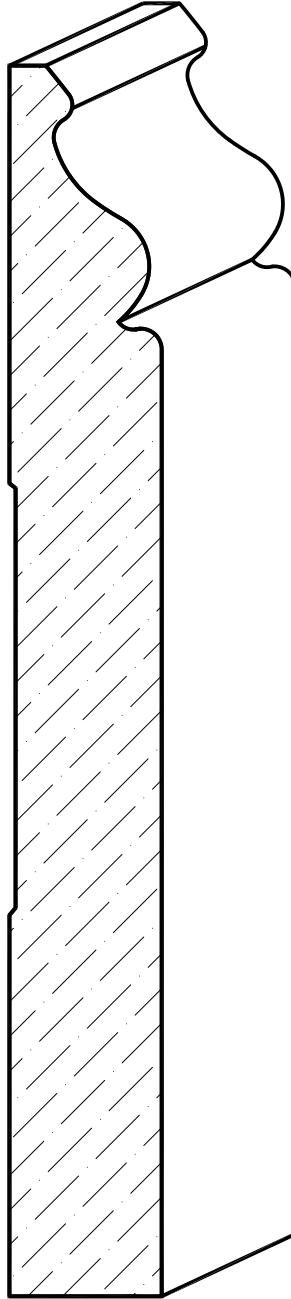
3/4"x7"
available in any width



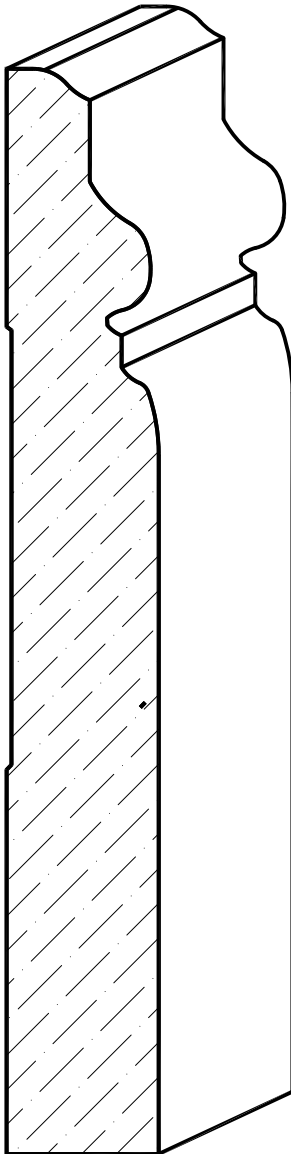
623
9/16" x 3-1/4"



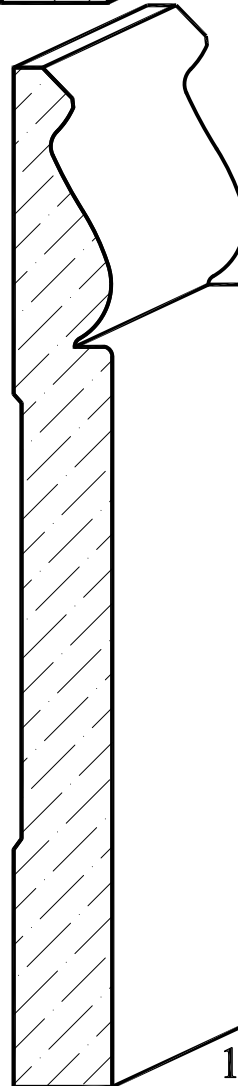
620
9/16" x 4-1/4"



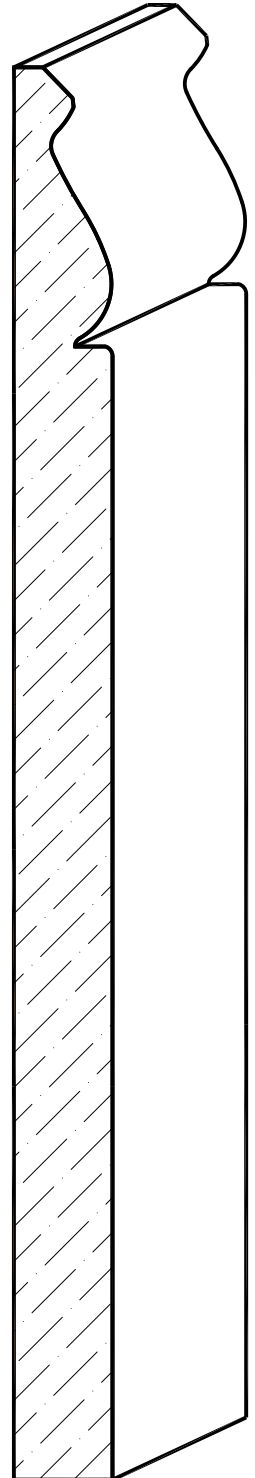
825
3/4" x 6-1/4"
Also available in 5-1/4", 7-1/4" x 8-1/4"



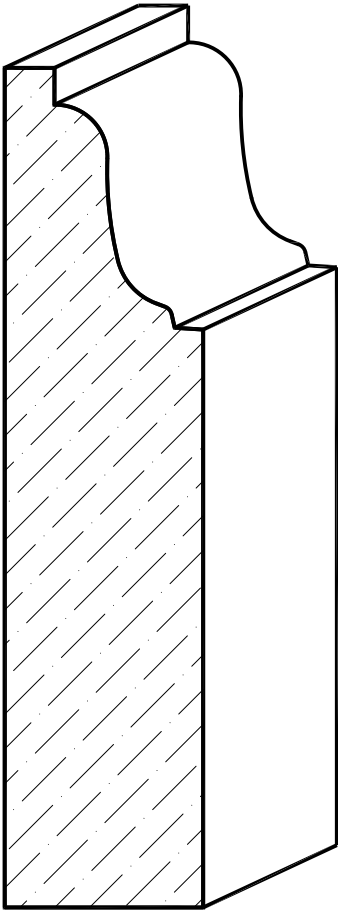
711
3/4" x 5-1/2"



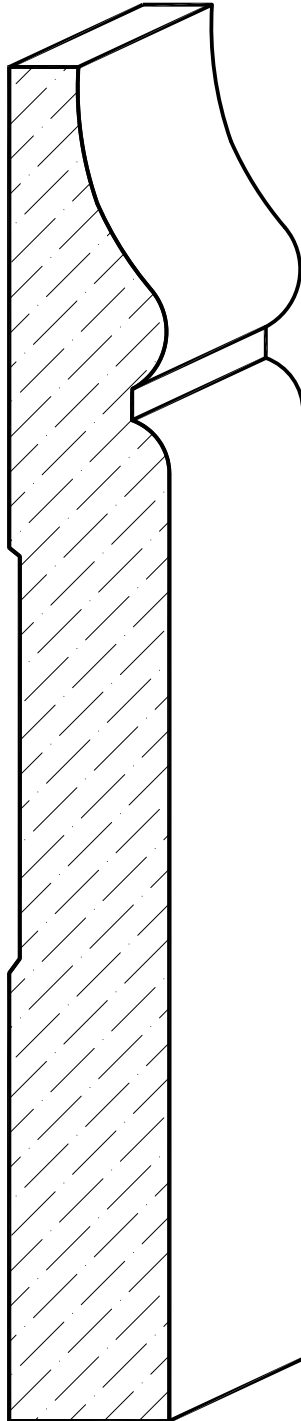
163
9/16" x 5-1/4"



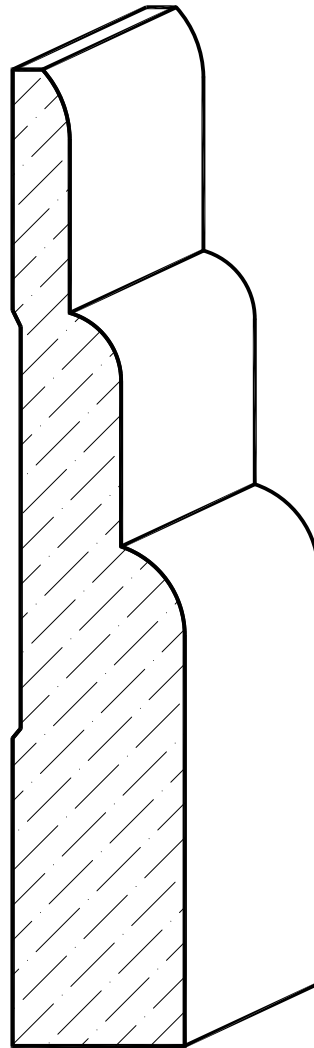
163
9/16" x 7-1/4"



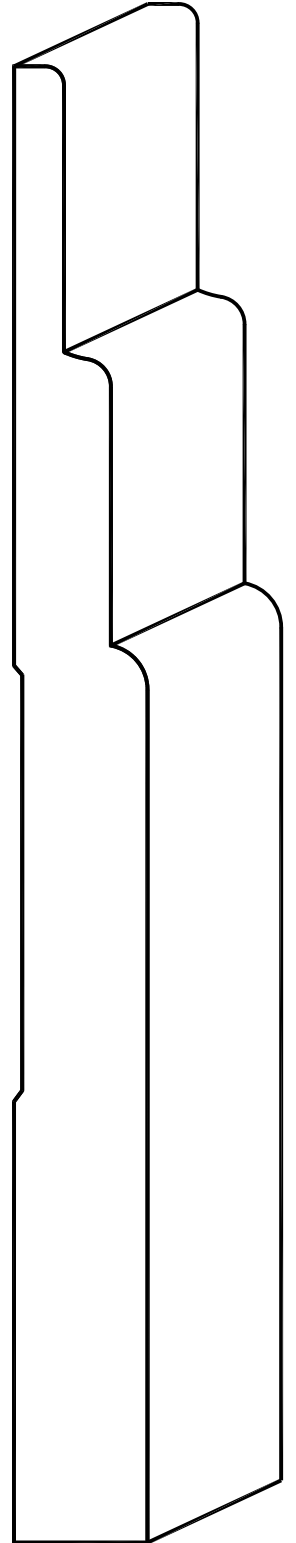
Lee
1"x4-1/4"
cabinet base



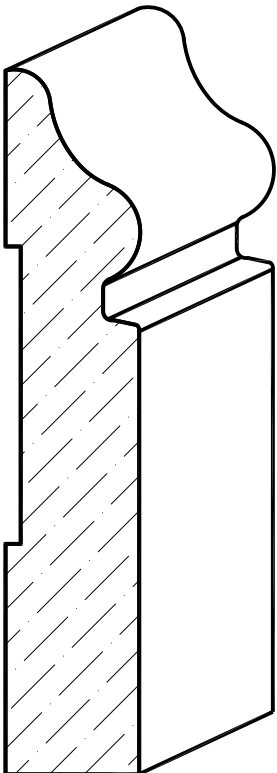
634
13/16"x7"



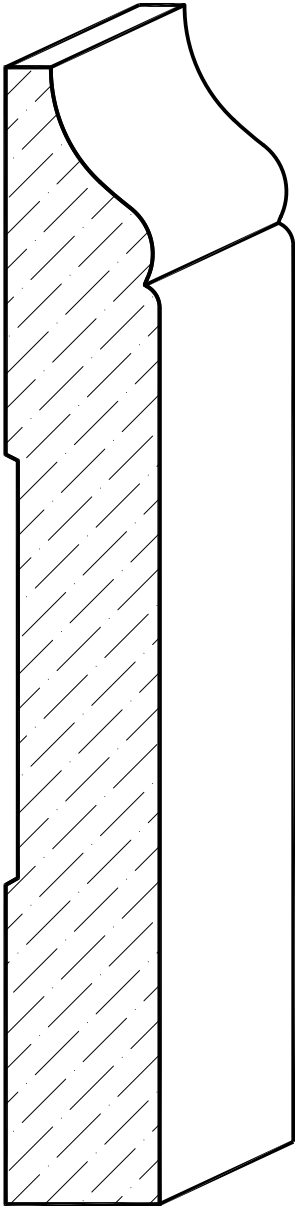
1036
7/8"x5"



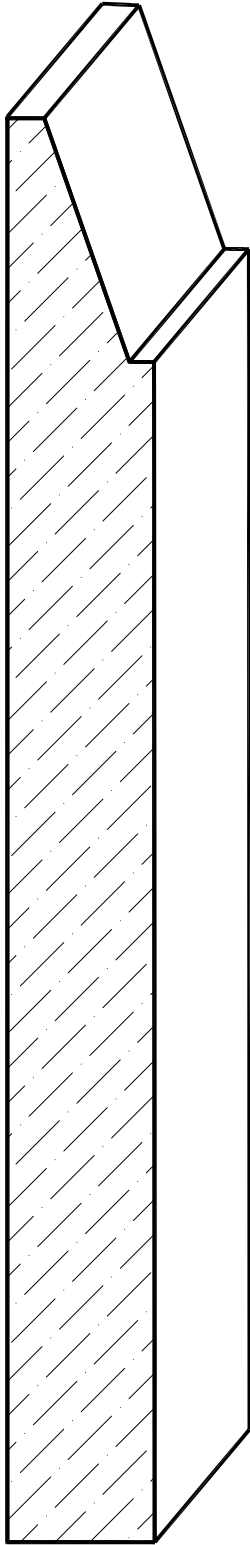
1037
11/16"x7-1/2"



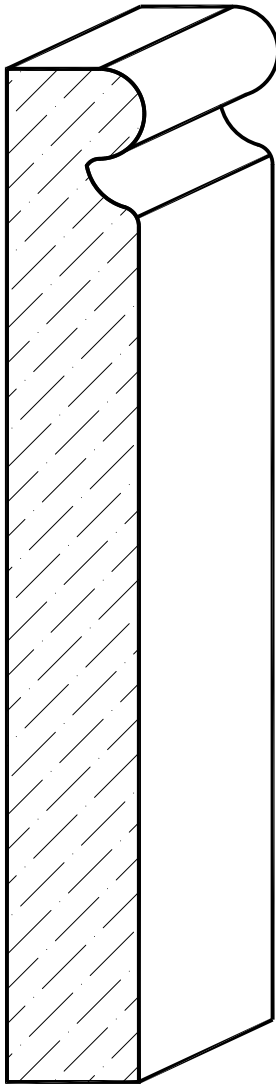
640
11/16"x3-1/2"



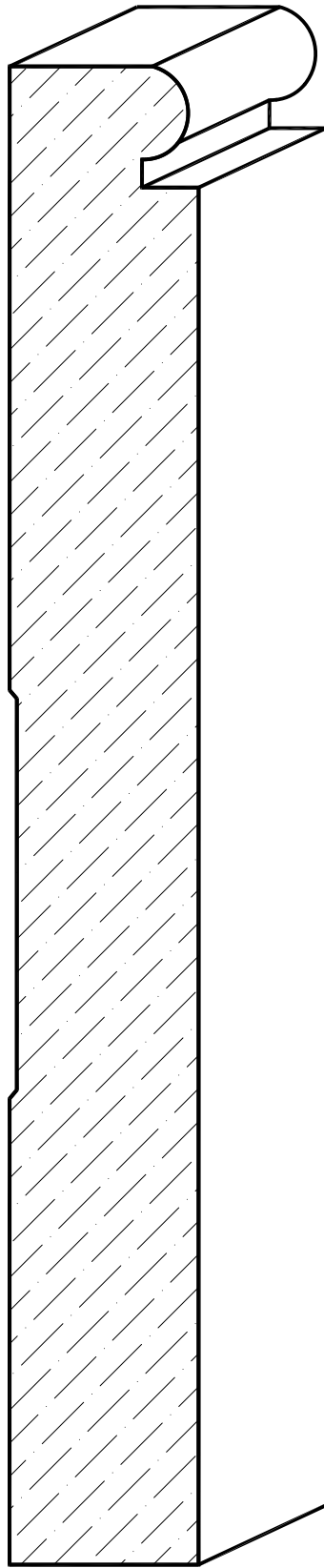
715
3/4"x5-3/4"



121
3/4"x7-1/4"

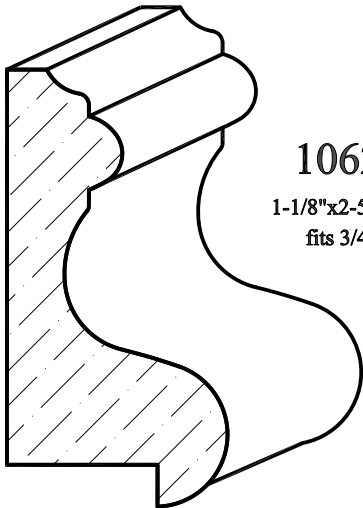


760
11/16"x5-1/4"

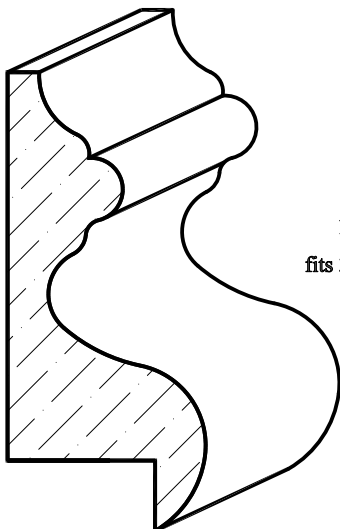


1055
1"x8"

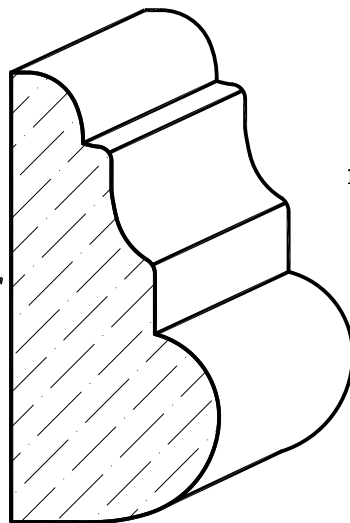
Base Cap/Panel Mould



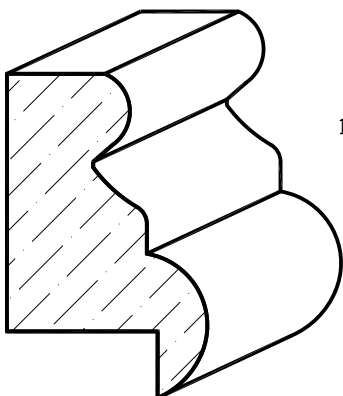
1062
1-1/8"x2-5/16"
fits 3/4"



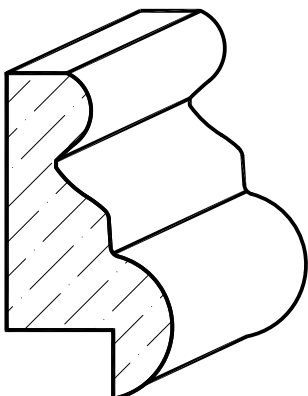
171
1"x2-3/8"
fits 3/4" and 1/2"



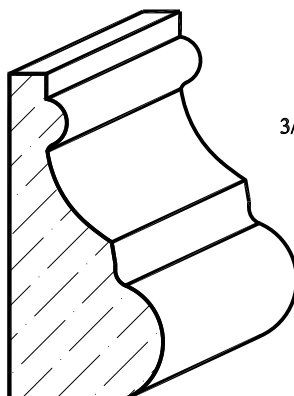
175
1-1/16"x2-1/4"



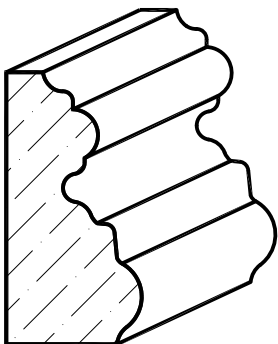
165
1"x1-5/8"
fits 3/4"



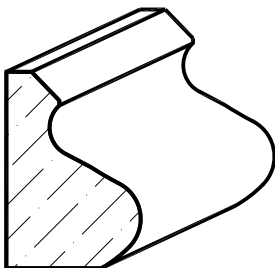
164
13/16"x1-5/8"
fits 1/2"



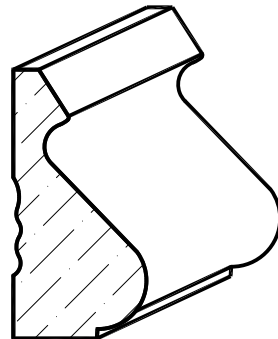
166
3/4"x1-5/8"



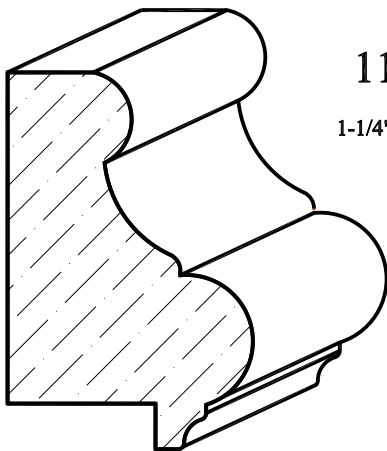
152
11/16"x1-3/8"



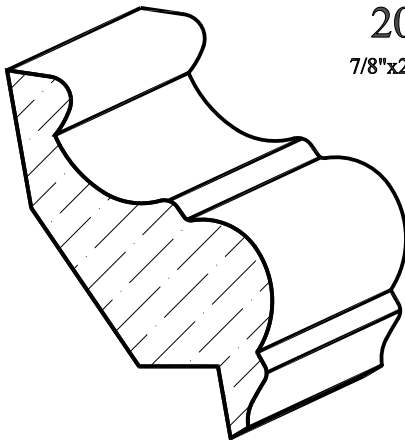
162
11/16"x1"



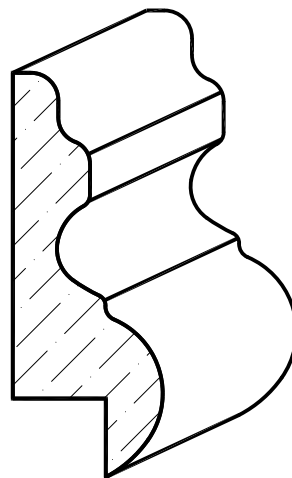
163
11/16"x1-3/8"



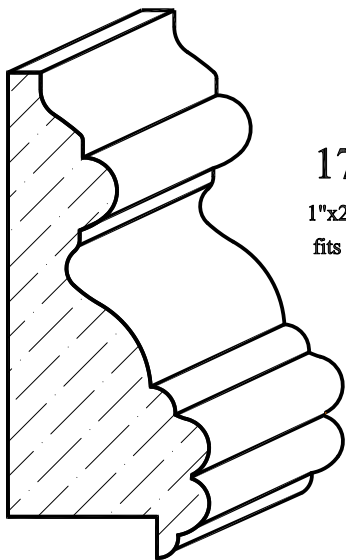
1102
1-1/4"x1-7/8"



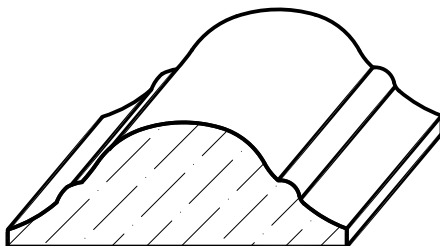
205
7/8"x2-1/16"



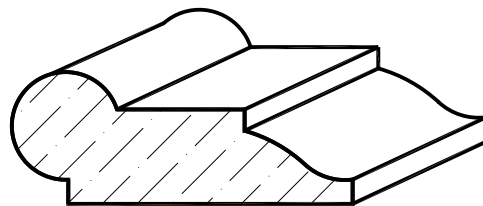
167
3/4"x2"



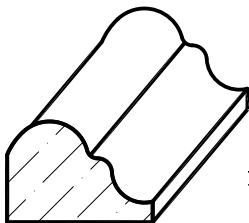
172
1"x2-1/2"
fits 3/4"



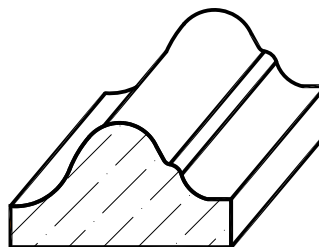
Flat Astragal
5/8"x1-3/4"



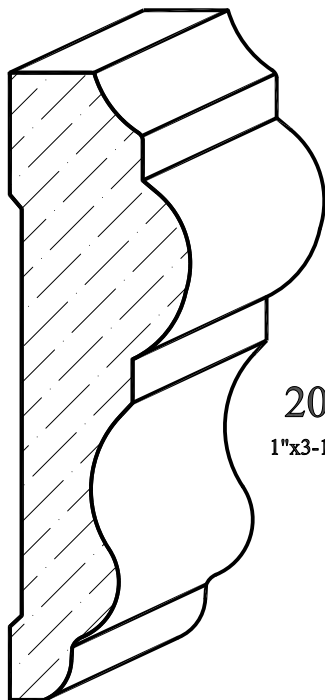
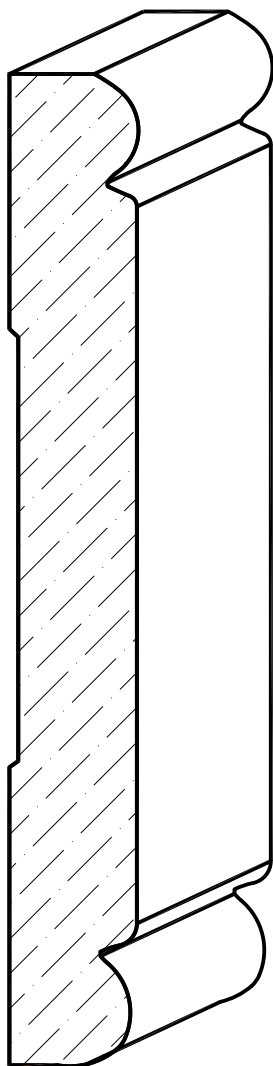
273
11/16"x1-3/4"



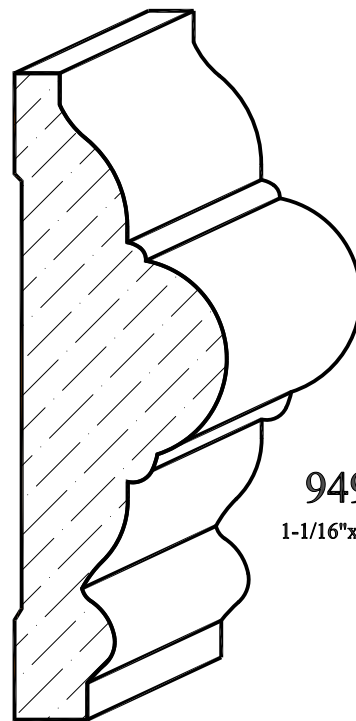
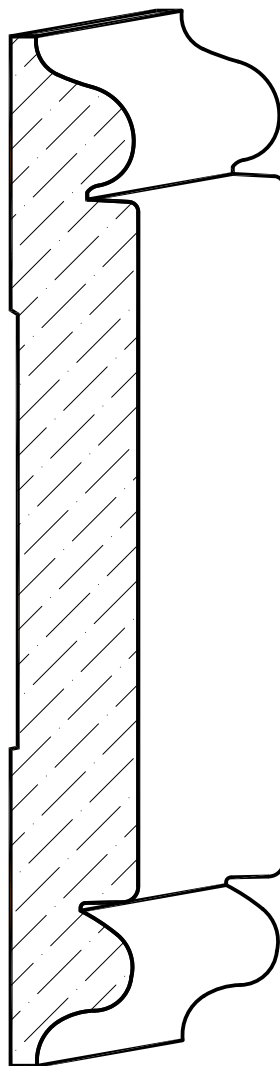
180
1/2"x3/4"



183
5/8"x1-1/8"



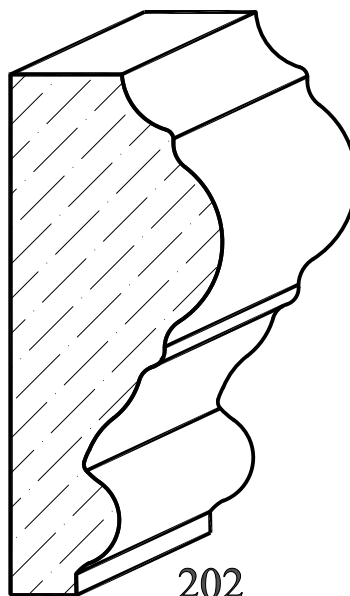
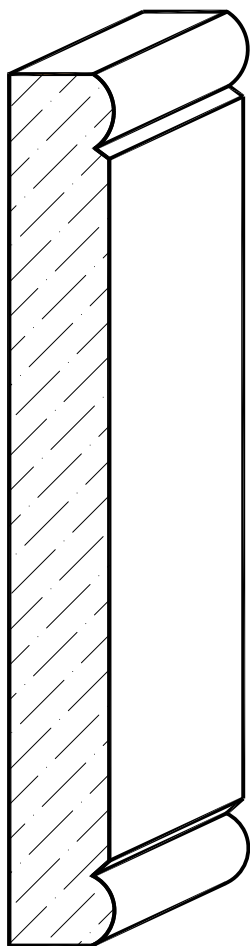
201
1"x3-1/4"



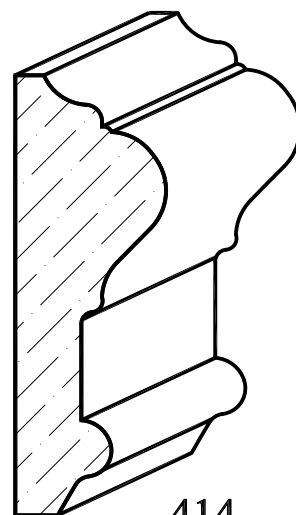
949
1-1/16"x3-1/4"

306
5/8"x5"

903
5/8"x5"



202
1-1/16"x2-5/8"

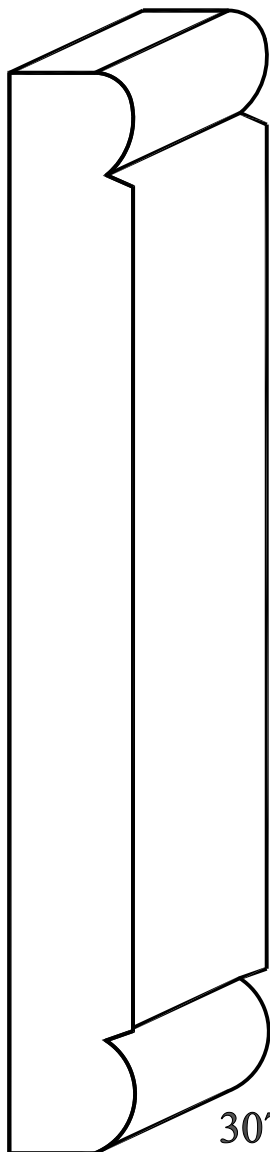


414
3/4"x2-3/4"

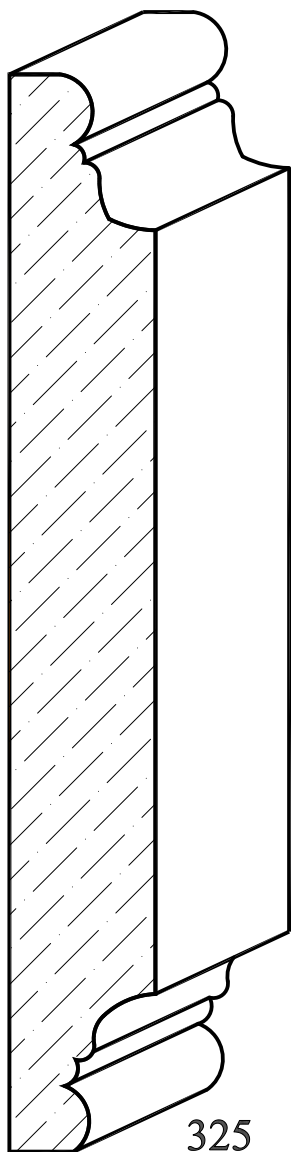
305 chair backer

9/16"x4-1/2"

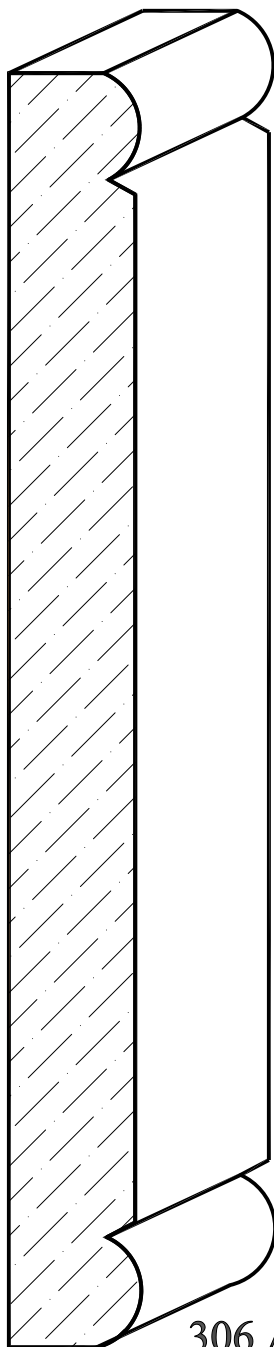
Chair Rail



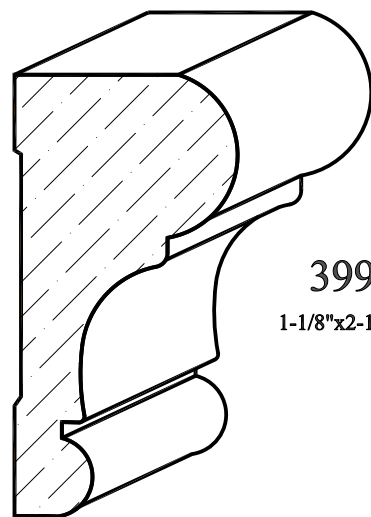
307
1 1/16" x 5-1/2"



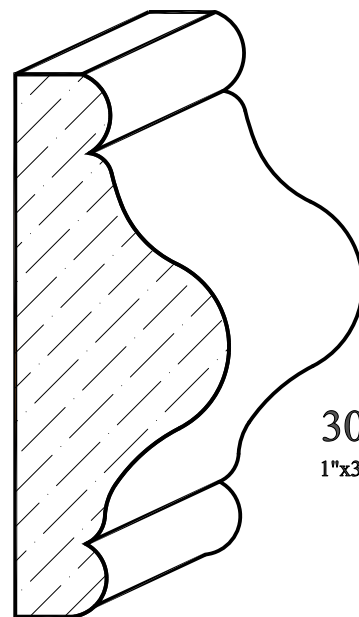
325
3/4" x 5-1/2"



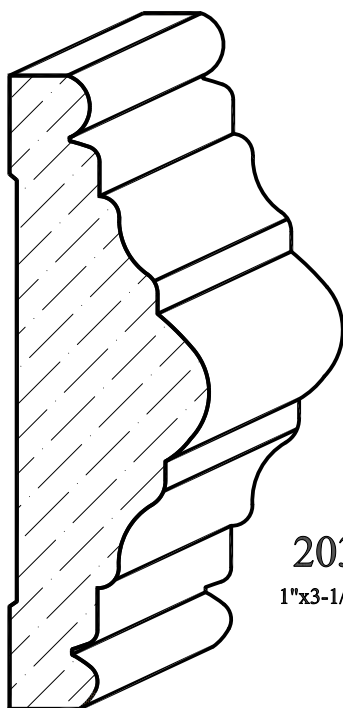
306 A
1 1/16" x 6-1/2"



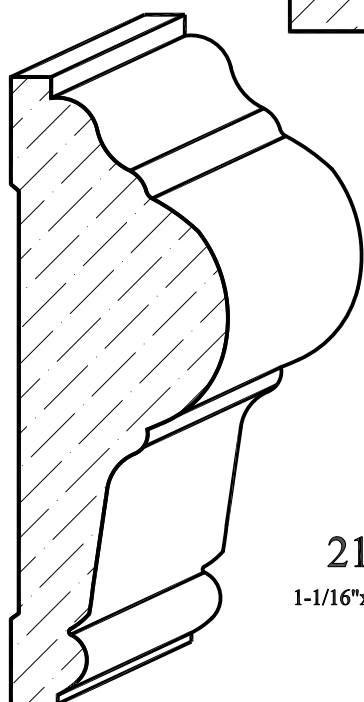
399
1-1/8" x 2-1/4"



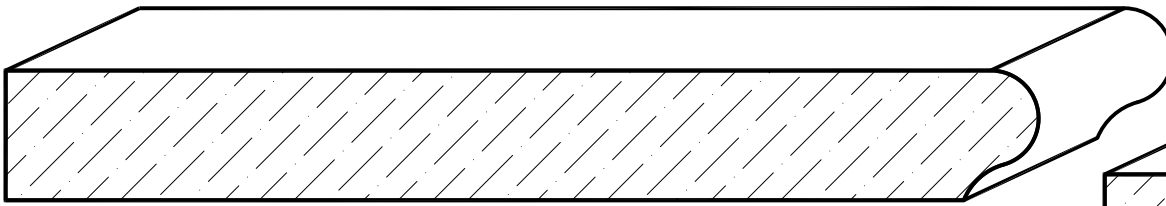
302
1" x 3-1/4"



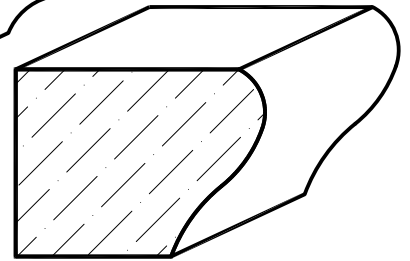
203
1" x 3-1/4"



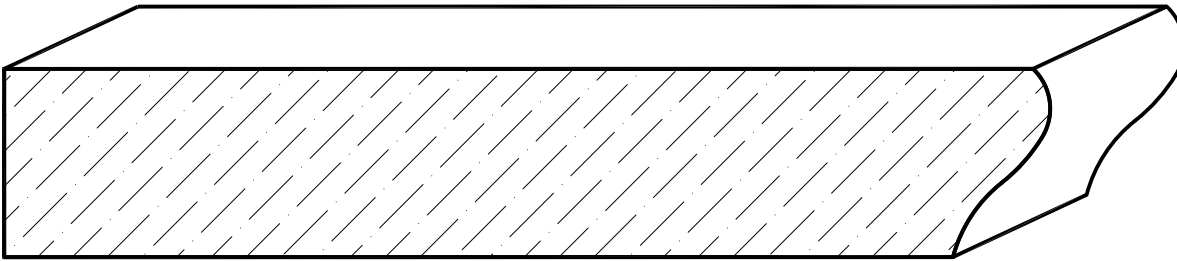
210
1-1/16" x 3-1/4"



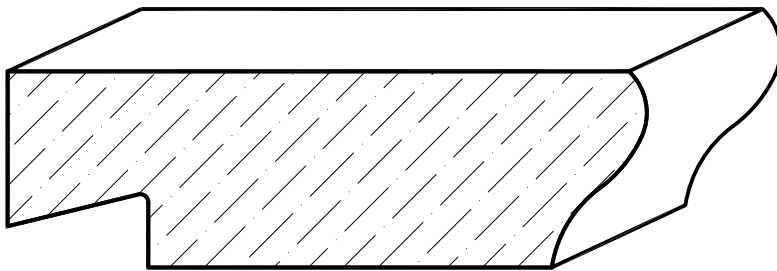
1021
11/16"x5-1/4"
also available in 7-1/4"



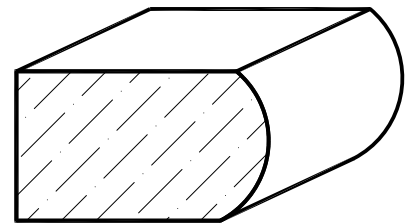
1022 nosing
1"x1-1/4"



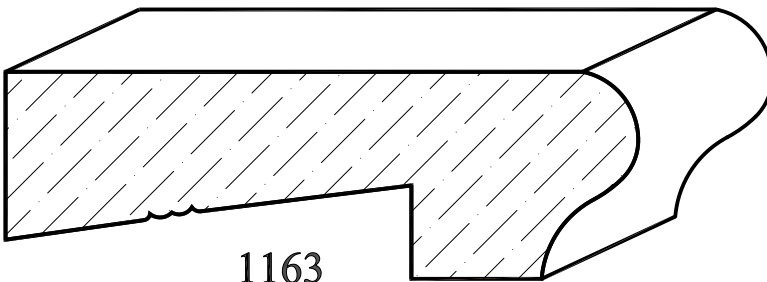
1022
1"x5-1/4"
also available in 8"



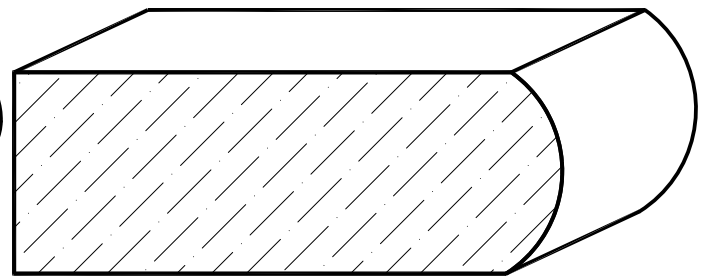
1163 A
1"x3-1/4"



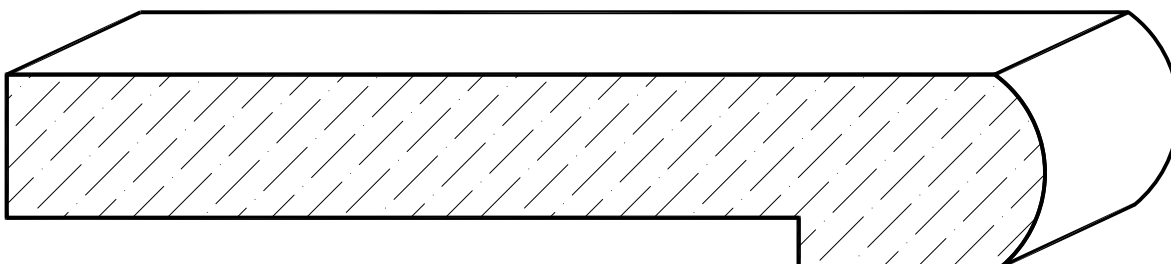
3/4"x1-1/4" bullnose



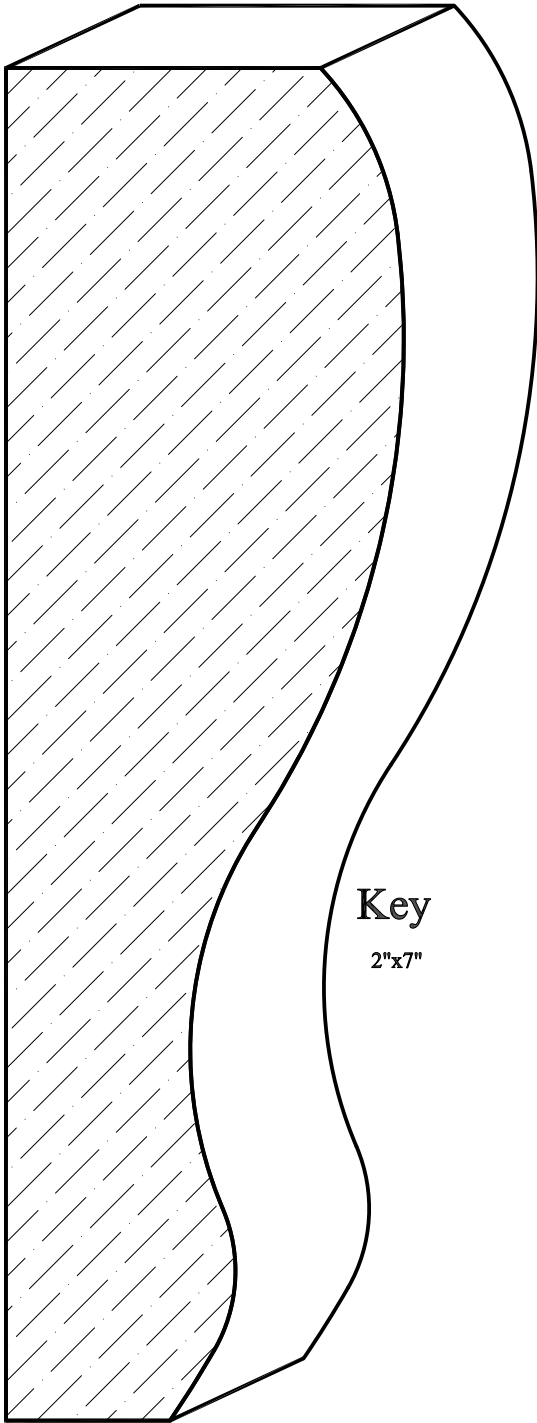
1163
1"x3-1/4"



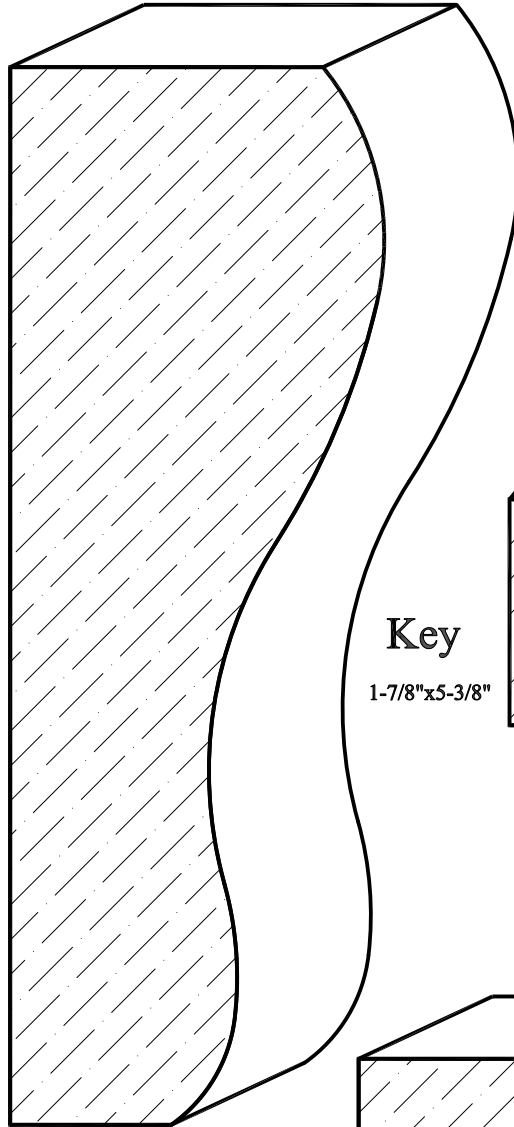
1"x2-3/4" Bullnose



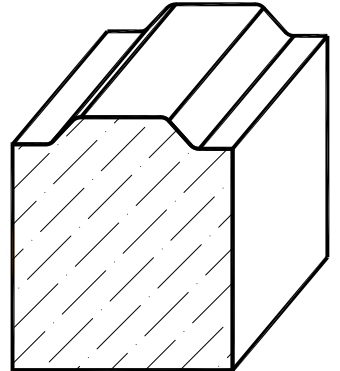
Landing Tread
1"x5-1/4"



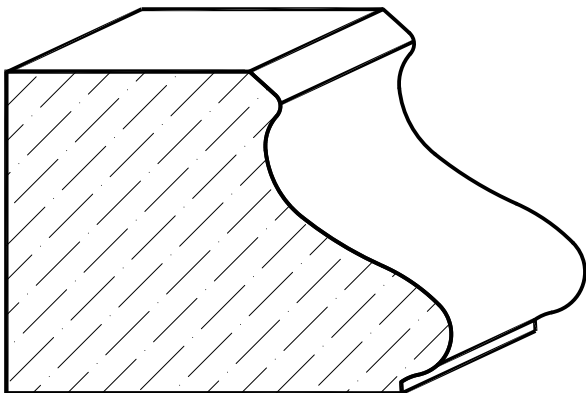
Key
2"x7"



Key
1-7/8"x5-3/8"



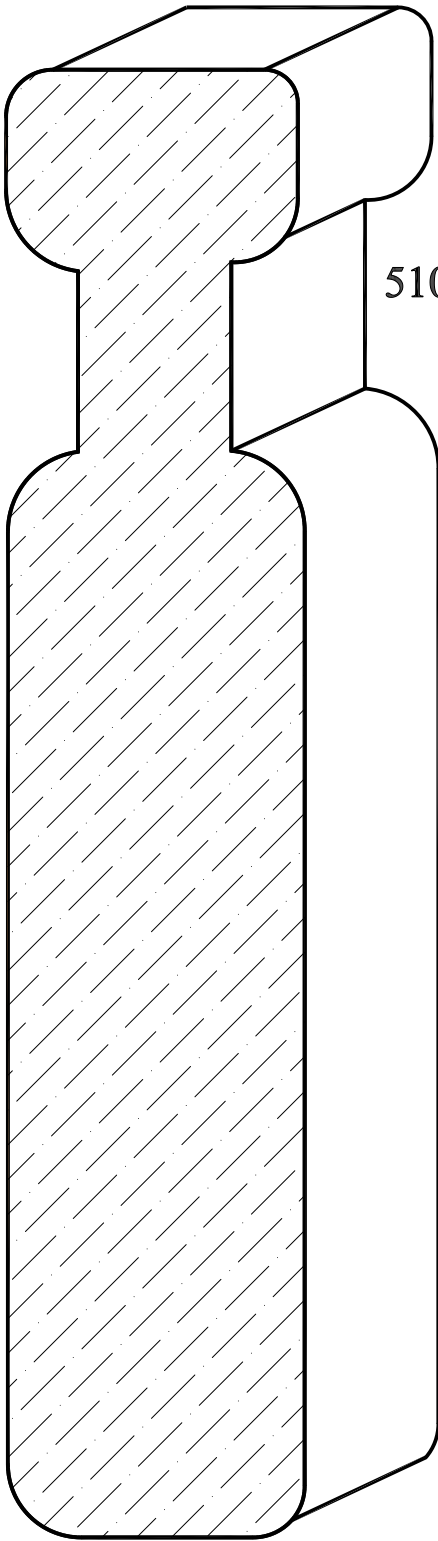
Ribbon
1-1/4"x1-1/8"



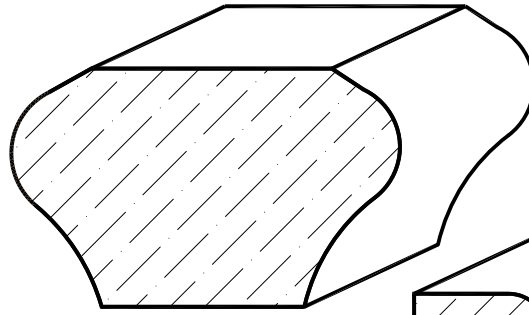
PW Base Cap
1-5/8"x2-1/4"



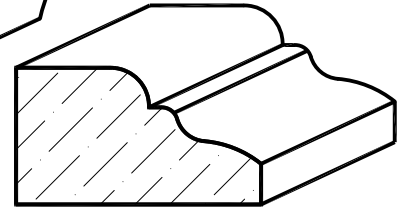
Key
1-3/8"x4-5/16"



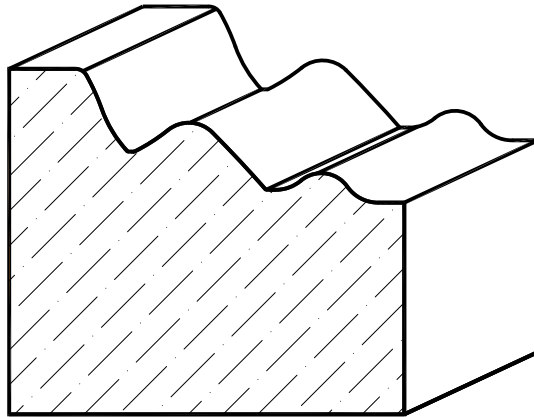
510 Handrail
1-1/2"x7-1/2"



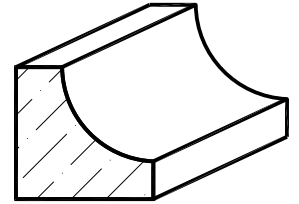
240
1-1/4"x2-1/4"



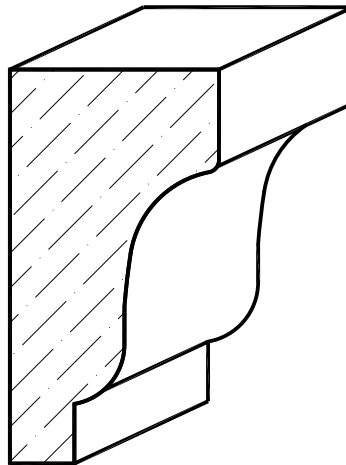
11/16"x1-1/4" Ogee



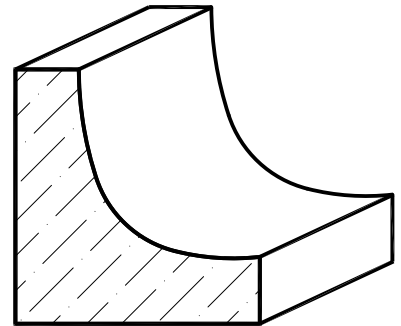
PW Cap
1-3/4"x2"



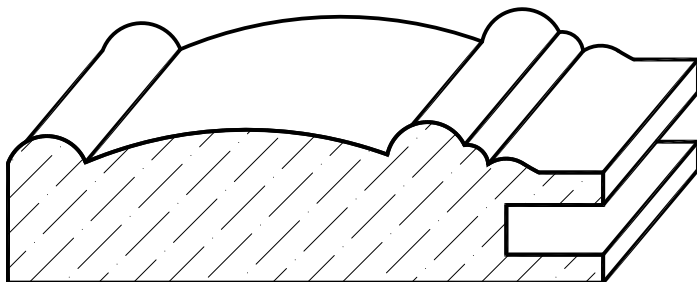
3/4" Cove



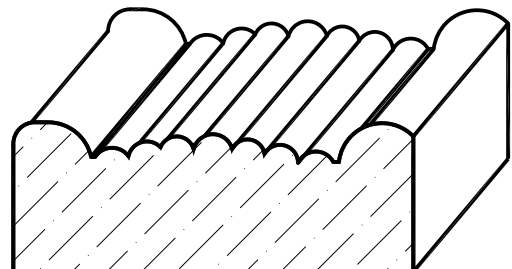
Rake Moulding
1"x2"



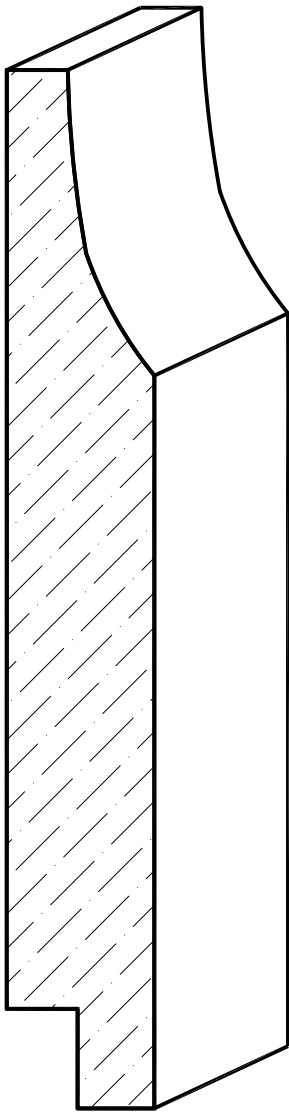
1-1/4" Cove



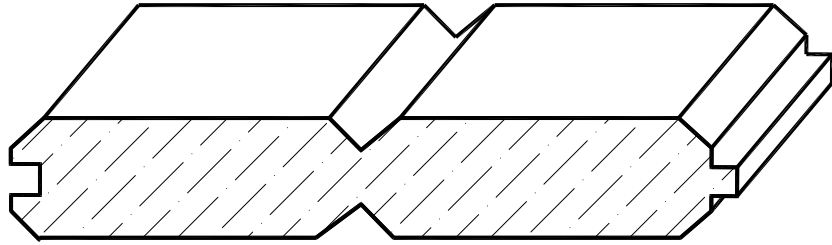
703
13/16"x3"
cabinet door trim



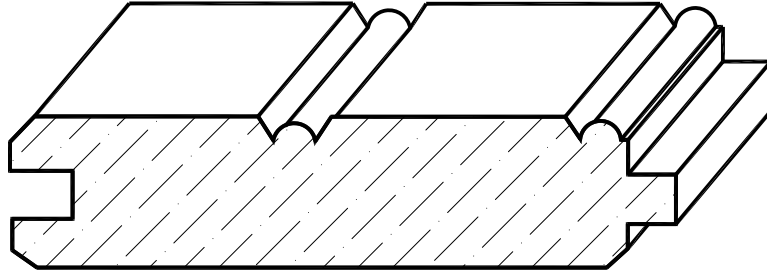
3/4x2" Reeded Mullion



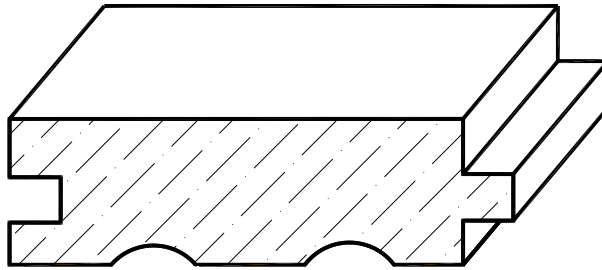
German Siding
3/4"x5-1/2"



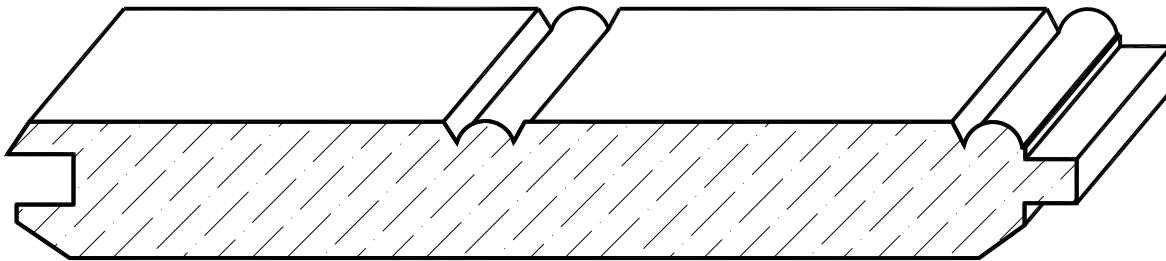
5/8"x3-1/2" double v paneling



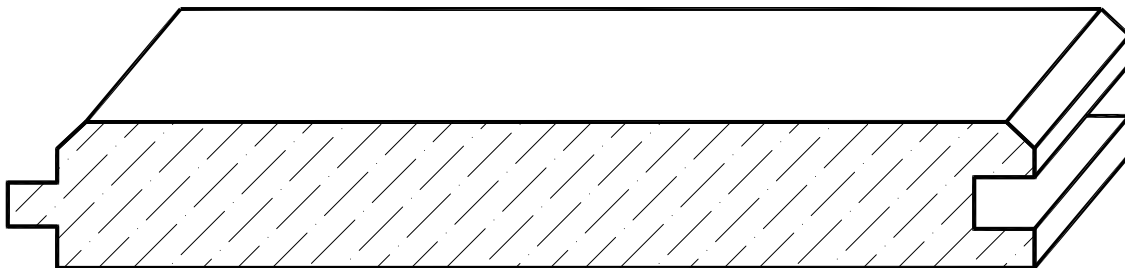
1x4 T&G Beaded/V-groove



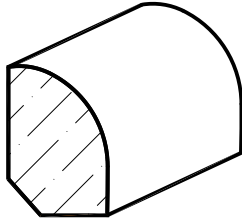
T&G Flooring
available in different widths



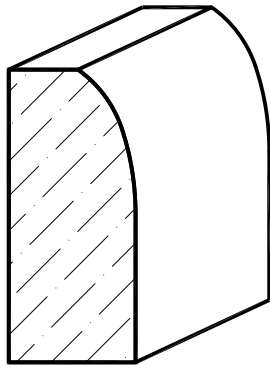
1x6 T&G Beaded/V-groove



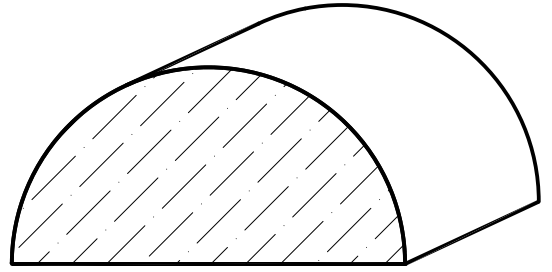
1x6 T&G V-groove



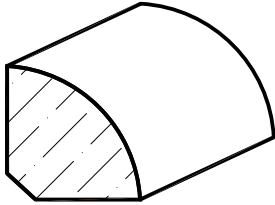
126 shoe
1/2"x3/4"



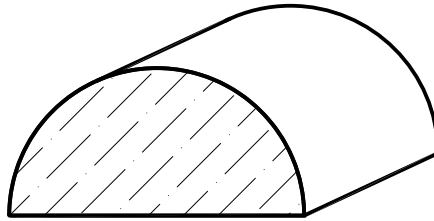
848 shoe/stop
5/8"x1-1/2"
available 3/8"x1-1/8"



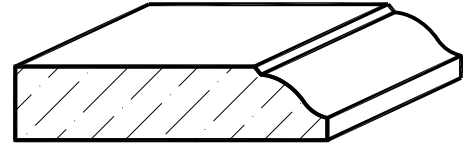
1"x2" half round



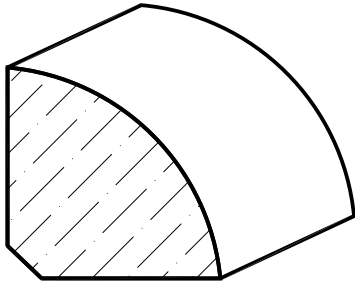
1/4 round
11/16"x11/16"



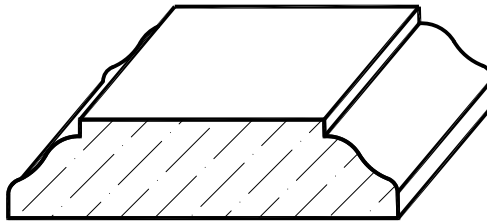
3/4"x1-1/2" half round



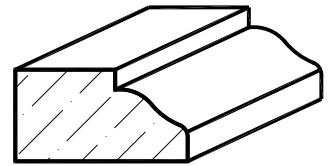
945
3/8"x1-5/8"



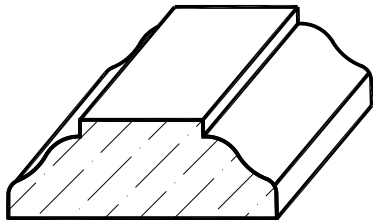
103 QR
1-1/16"x1-1/16"



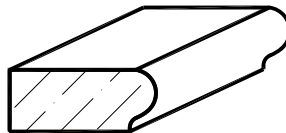
982 mullion
3/8"x2"



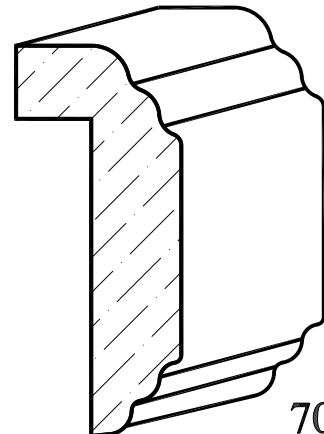
940
3/8"x7/8"



983 mullion
3/8"x1-3/8"



Cabinet Bead
5/16"x3/4"



701
13/16"x2"
cabinet door trim